

Demi HSA⁺ Filter Housing

- sanitary air / gas

- Sanitary range of air / gas housing
- Available in 4 different housing classes: ATEX, CE, High Pressure and Oxygen Service
- Both beverage and pharmaceutical surface finishes available
- A choice of easy to use sanitary vent and drain options



Specification

Materials of Construction

- Housing: 316L Stainless Steel
- Seals: EPDM FDA, PTFE FDA, Silicone FDA, Viton FDA

Surface Finish Options

- Beverage Finish
 - Internal: Polished 0.4 µm Ra
 - External: Polished 0.25 µm Ra
- Pharmaceutical Finish
 - Internal: Polished 0.4 µm Ra and Electropolished
 - External: Polished 0.25 µm Ra

Welding

All assembly welds are full penetration. All welds are crevice and undercut free. Weld finish & detail drawings available upon request.

Design Code

Housings designed in accordance with the European Council Pressure Equipment Directive (PED) 97/23/EC and the UK Statutory Pressure Equipment Regulations (PER) 1999 N° 2001.

Design Basis

ASME VIII Division 1. ATEX 94/9/EC (where applicable)

ATEX Working Condition PED 97/23/EC			Maximum Pressure	
Fluid Group	State	Temperature	01A	01B
Non Dangerous & Dangerous	Gas / Vapour	135 °C (275 °F)	10.00 barg (145.03 psig)	10.00 barg (145.03 psig)
PED Conformity Assessment Category			SEP	SEP
Volume (litres)			0.75	0.50

CE Working Condition PED 97/23/EC			Maximum Pressure	
Fluid Group	State	Temperature	01A	01B
Non Dangerous & Dangerous	Gas / Vapour	150 °C (302 °F)	10.00 barg (145.03 psig)	10.00 barg (145.03 psig)
PED Conformity Assessment Category			SEP	SEP
Volume (litres)			0.75	0.5

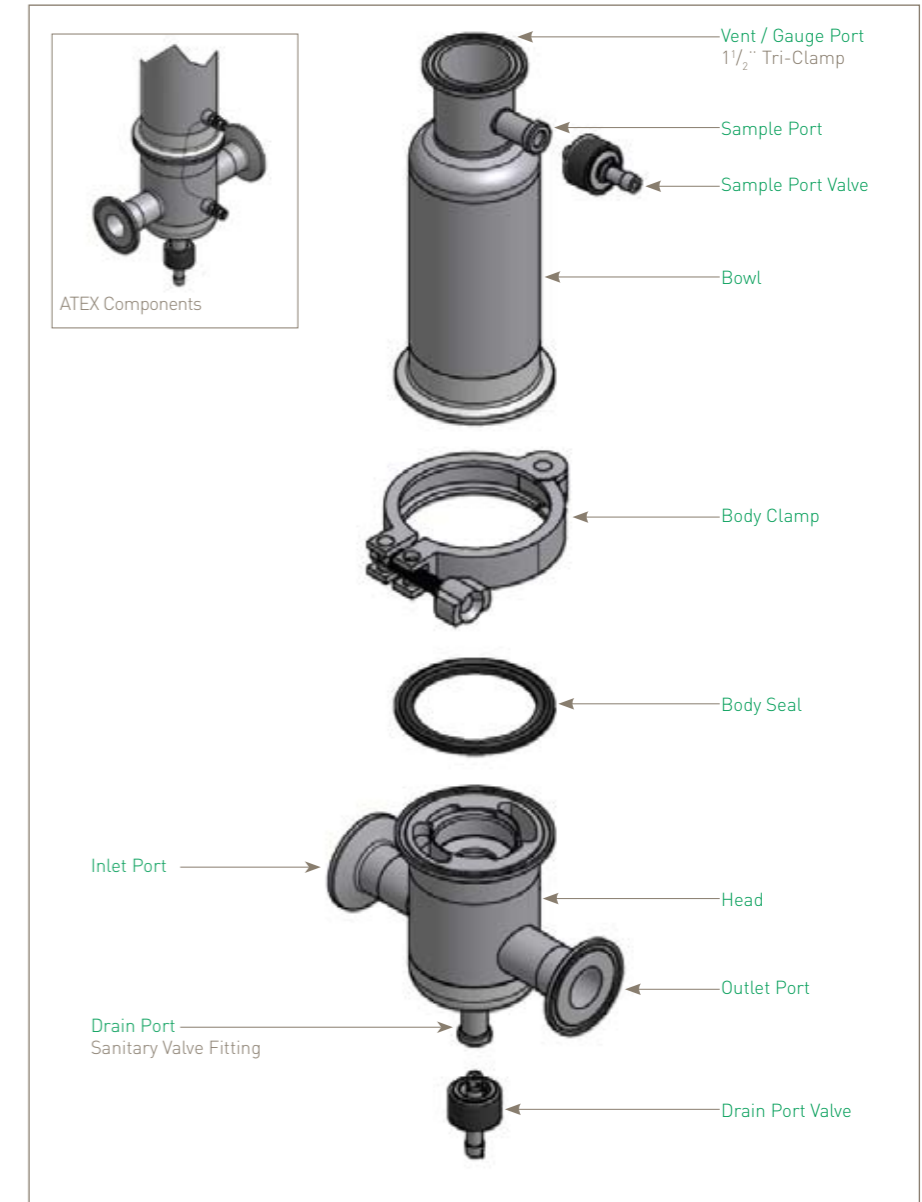
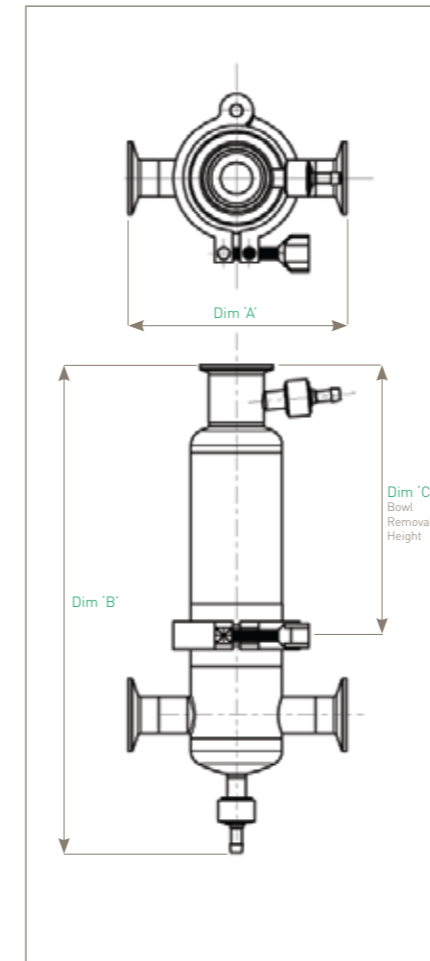
High Pressure Working Condition PED 97/23/EC			Maximum Pressure	
Fluid Group	State	Temperature	01A	01B
Non Dangerous	Gas / Vapour	205 °C (401 °F)	16.00 barg (232.06 psig)	16.00 barg (232.06 psig)
PED Conformity Assessment Category			SEP	SEP
Volume (litres)			0.75	0.5

Oxygen Service Working Condition PED 97/23/EC			Maximum Pressure	
Fluid Group	State	Temperature	01A	01B
Dangerous	Gas / Vapour	150 °C (302 °F)	10.00 barg (145.03 psig)	10.00 barg (145.03 psig)
PED Conformity Assessment Category			SEP	SEP
Volume (litres)			0.75	0.5

Physical Characteristics

Bowl Height	Dimensions (mm)			Typical Weight (Kg)
	A	B	C	
A Size 5" (125 mm)	152	340	130	1.3
B Size 2 1/2" (65 mm)	152	285	70	1.2

Dimensions are based on illustration shown (HSACE01ABTTE-HH-P-XI). For accurate dimensions, please contact Parker domnick hunter.



Ordering Information

Code Vessel Class	Code Length (Nominal)	Code Connection Size	Code Standard	Code Cartridge	Code Seal	Code Vent	Code Drain	
AT ATEX CE Standard HP High Pressure OX Oxygen Service	A 5" (125 mm) B 2 1/2" (65 mm)	B 1" T 3/4" A 1/2"	T Tri-Clamp	T 126	E EPDM P* PTFE S Silicone V Viton	C Rectus 21 Vertical H 1 1/2" TCF & Hosebarb I 1 1/2" TCF & Staubli RBE03 M 1 1/2" TCF & 1/2" TCF R 1 1/2" TCF & Rectus 21 S Staubli RBE03 Vertical T 1 1/2" TCF Only	H Hosebarb R Rectus 21 S Staubli RBE03 T 1/2" TCF	
						Code Surface Finish	Internal	External
						B Beverage	0.4 µm	0.25 µm
						P Pharmaceutical	0.4 µm EP	0.25 µm
						Code Tagged	T Yes	X No

* Double bolted clamp required

For Tagged Options customer identification numbers required at time of ordering

PROSEP FILTER SYSTEMS LTD
Unit G19
River Bank Way
Lowfields Business Park
Elland
West Yorkshire
HX5 9DN

Tel: 01422 377367

Fax: 01422 377369

Email: enquiries@prosep.co.uk

www.prosep.co.uk

Map and Directions to Prosep Filters Limited



Leave M62 at Junction 24.

At roundabout adjacent to Cedar Court Hotel take 2nd exit onto dual carriageway (A629), signposted Halifax.

Take 1st exit slip road.

At roundabout at end of sliproad, take 3rd exit off.

This is the entrance to Lowfields Business Park.

Proceed straight over 1st roundabout.

At next roundabout take 2nd exit onto River Bank Way - Prosep Filters can be found on the left after the S-bend.

[Link to Google Maps](#)