

# Demi HSV<sup>+</sup> Filter Housing

- vent housing

- Available in ATEX version
- Beverage, pharmaceutical and industrial surface finishes available
- Available in various connection types



## Specification

### Materials of Construction

- Housing: 316L Stainless Steel
- Seals: EPDM FDA, PTFE FDA, Silicone FDA, Viton FDA

Note: Seal used only to position bowl clamp arrangement.

Working Condition PED 97/23/EC			Volume [litres]	
Variant	State	Temperature	01A	01B
Standard	Gas / Vapour	150 °C [302 °F]	0.75	0.5
ATEX	Gas / Vapour	135 °C [275 °F]	0.75	0.5

### Surface Finish Options

- Industrial Finish
  - Internal: As Welded, Pickled & Passivated
  - External: Polished 0.8 µm Ra
- Beverage Finish
  - Internal: Polished 0.4 µm Ra
  - External: Polished 0.25 µm Ra
- Pharmaceutical Finish
  - Internal: Polished 0.4 µm Ra and Electropolished
  - External: Polished 0.25 µm Ra

### Welding

All assembly welds are full penetration. All welds are crevice and undercut free. Weld finish & detail drawings available upon request.

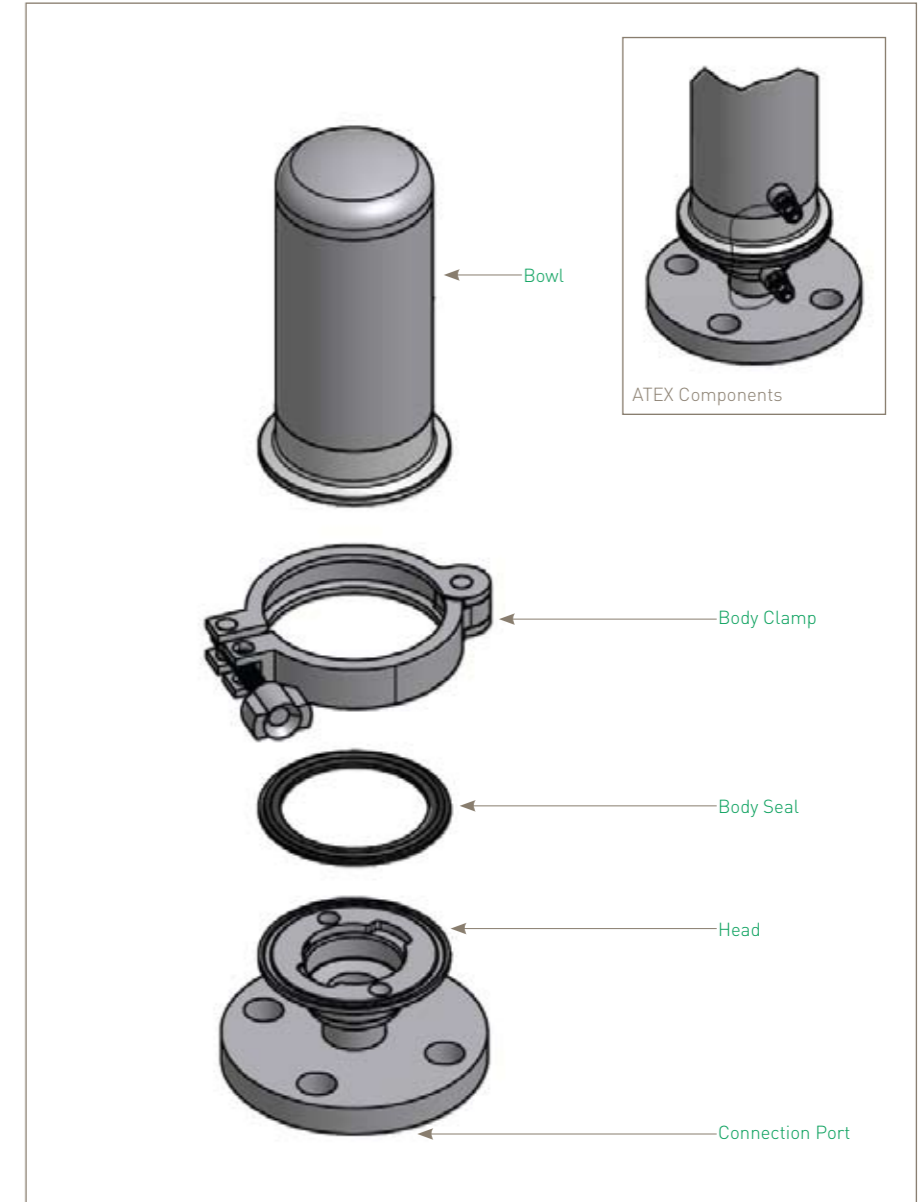
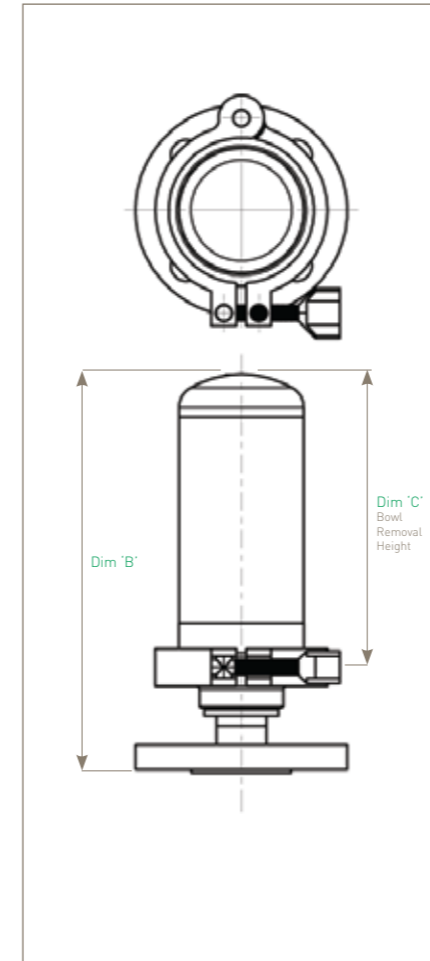
### Design Basis

ATEX 94/9/EC (where applicable)

## Physical Characteristics

Bowl Height	Dimensions (mm)	Typical Weight [Kg]	
	'B'	'C'	
A Size 5" [125 mm]	203	130	1.7
B Size 2 1/2" [65 mm]	148	70	1.6

Dimensions are based on illustration shown (HSV01ABFTE-P-X). For accurate dimensions, please contact Parker domnick hunter.



## Ordering Information

HSV	01								
Code   Vessel Class	Code   Length [Nominal]	Code   Connection Size	Code   Standard	Code   Cartridge	Code   Seal	Code   Surface Finish	Internal	External	Code   Tagged
DH Standard AT ATEX	A 5" [125 mm] B 2 1/2" [65 mm]	B 1"	B BSPP (F) D DIN11851 F ANSI RF150 L BS4504 N DIN2633 N NPT (F) T Tri-Clamp	T 126	E EPDM P PTFE S Silicone V Viton	B Beverage I Industrial P Pharmaceutical	0.4 µm As Welded 0.4 µm EP	0.25 µm 0.8 µm 0.25 µm	T Yes X No

For Tagged Options customer identification numbers required at time of ordering

PROSEP FILTER SYSTEMS LTD  
Unit G19  
River Bank Way  
Lowfields Business Park  
Elland  
West Yorkshire  
HX5 9DN

**Tel: 01422 377367**

**Fax: 01422 377369**

Email: [enquiries@prosep.co.uk](mailto:enquiries@prosep.co.uk)

[www.prosep.co.uk](http://www.prosep.co.uk)

**Map and Directions to Prosep Filters Limited**



Leave M62 at Junction 24.

At roundabout adjacent to Cedar Court Hotel take 2nd exit onto dual carriageway (A629), signposted Halifax.

Take 1st exit slip road.

At roundabout at end of sliproad, take 3rd exit off.

This is the entrance to Lowfields Business Park.

Proceed straight over 1st roundabout.

At next roundabout take 2nd exit onto River Bank Way - Prosep Filters can be found on the left after the S-bend.

[Link to Google Maps](#)