

VIS Housings

- high flow steam



- Specifically designed to maximise flow rates and minimise pressure drop
- Compatible with JUMBO element to maximise steam capacity

Specification

Materials of Construction

- Housing: 316L Stainless Steel
- Seals: EPDM

Surface Finish

- Internal: Inside of outlet and distribution box to be mechanically mirror polished 0.8 µm Ra. Immerse vessel to achieve 100% pickle and passivation.
- External: Grit blast 5 µm Ra mean

Maximum Allowable Working Pressure (MAWP) PS

7 barg [101.5 psig]

Maximum Allowable Working Temperature (MAWT) TS

170.5 °C [339 °F]

Design Code

Housings designed in accordance with the European Council Pressure Equipment Directive (PED) 97/23/EC and the UK statutory pressure equipment regulations (PER) 1999 N° 2001. PED / PER Conformity assessments based on Fluid Group 2 Gas (harmless) allowing for in-situ steam sterilisation. Only housings over PS.V 50 bar / litres bear the CE mark.

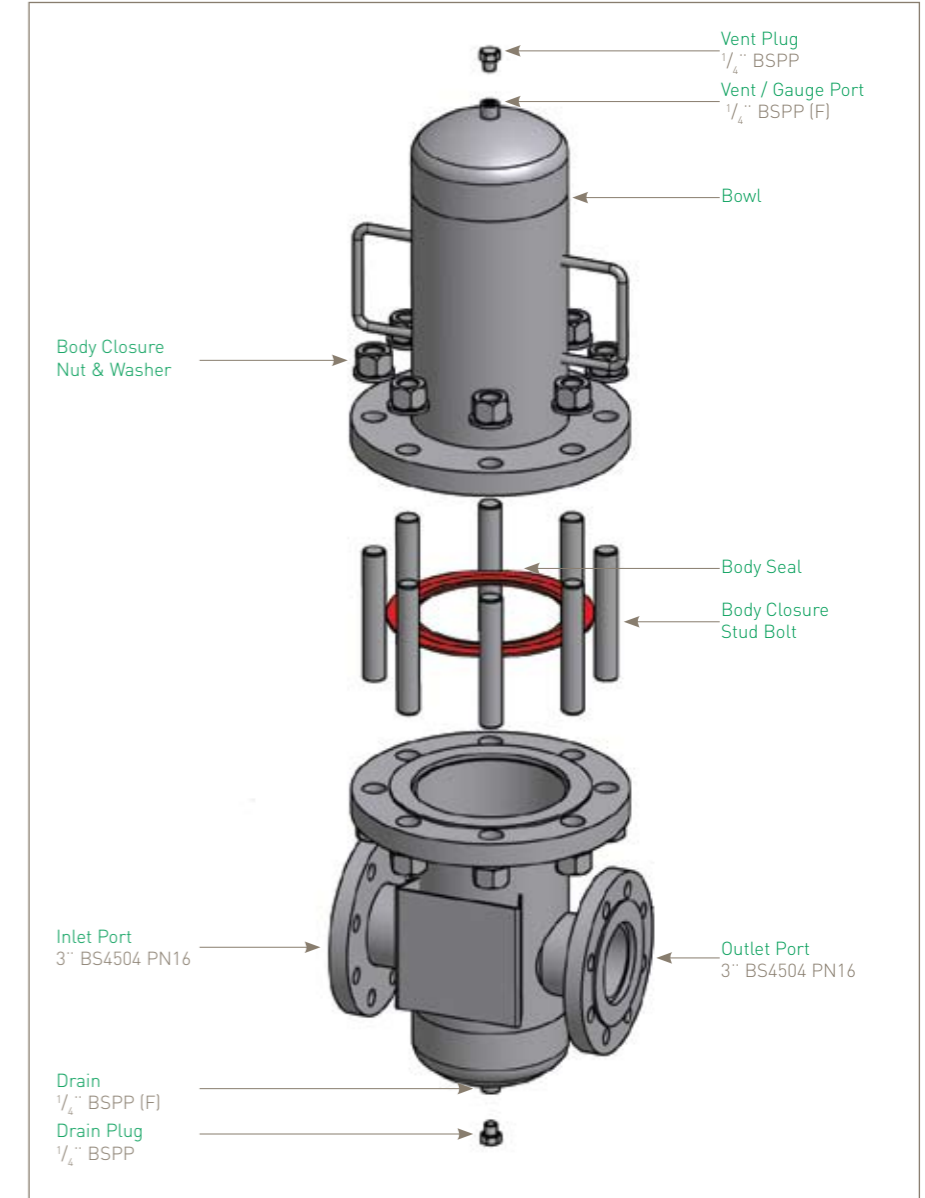
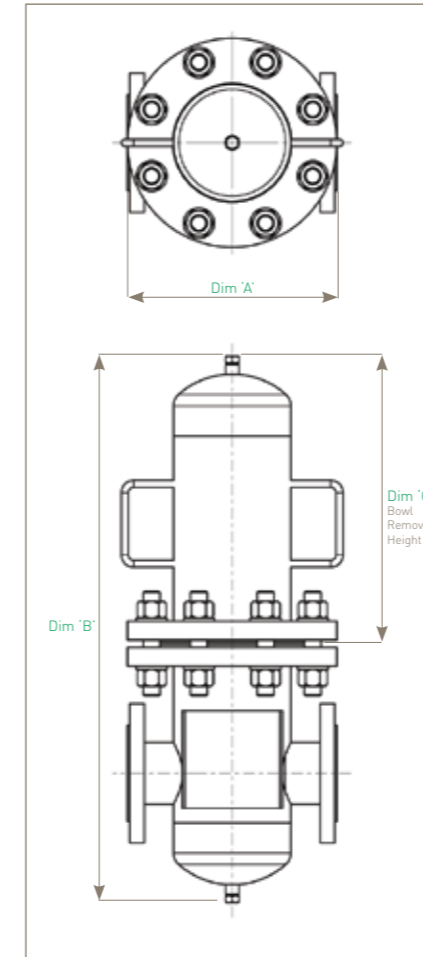
Design Basis

ASME VIII Division 1.

Physical Characteristics

Type	Dimensions (mm)			Typical Weight [Kg]
	'A'	'B'	'C'	
VISCE-01J-DD	300	763	310	30.0
VISCE-01J-ED	330	895	140	50.0
VISCE-3J-DD	515	1049	410	100.0
VISCE-3J-ED	700	1237	490	150.0

For the full range of dimensions and weights, please contact Parker domnick hunter.



Ordering Information

Code Vessel Class	Code N° of Cartridges	Code Length [Nominal]	Code Connection Size	Code Connection Type
CE Standard	01 1 03 3	J Jumbo	D* 3" E* 4" G** 6" H** 8"	D BS4504 PN16 Flange A ANSI cl. 150 Flange

* Single housings only
** Round housings only

Note: For accessories, i.e. gauges, please contact Parker domnick hunter - Process Division for full availability.

PROSEP FILTER SYSTEMS LTD
Unit G19
River Bank Way
Lowfields Business Park
Elland
West Yorkshire
HX5 9DN

Tel: 01422 377367

Fax: 01422 377369

Email: enquiries@prosep.co.uk

www.prosep.co.uk

Map and Directions to Prosep Filters Limited



Leave M62 at Junction 24.

At roundabout adjacent to Cedar Court Hotel take 2nd exit onto dual carriageway (A629), signposted Halifax.

Take 1st exit slip road.

At roundabout at end of sliproad, take 3rd exit off.

This is the entrance to Lowfields Business Park.

Proceed straight over 1st roundabout.

At next roundabout take 2nd exit onto River Bank Way - Prosep Filters can be found on the left after the S-bend.

[Link to Google Maps](#)