

# RV Series

RVFS Fuel Filter/Water Separator Vessel  
RVMF Fuel Filter Vessel



## How They Work:

The RV Series vessels are designed to be used in bulk fuel storage, fuel dispensing, or in fuel transfer applications.

RV Series set up as a filter/water separator (RVFS) will remove emulsified free water and solids from diesel fuel, gasoline, and other hydrocarbon streams. When equipped with filter water separator elements, water can be drained and removed from the RVFS sump.

RV Series set up as a particulate filter (RVMF) is designed to remove solid contaminants such as dirt, rust, scale, and other solid materials from a hydrocarbon fuel stream down to one micron.

Order a complete system "off the shelf" or customize via our three step ordering process on page 4.



## Contact Information:

**PROSEP FILTER SYSTEMS LTD**  
Unit G19, River Bank Way  
Lowfields Business Park  
Elland, West Yorkshire  
HX5 9DN

Tel: 01422 377367  
Fax: 01422 377369

[www.prosep.co.uk](http://www.prosep.co.uk)  
email: [sales@prosep.co.uk](mailto:sales@prosep.co.uk)

## Product Features:

- Carbon Steel Construction
- 250 PSI ASME Code, Section VIII Construction Stamped And Certified
- Inlet And Outlet Permanently Marked
- Interior: Epoxy Coated To MIL-C-4556E
- Exterior: Grey Primer Coated
- Hinged Cover
- Yellow Zinc Plated Swing Bolts
- Buna-N O-Ring Cover Seal
- Standard Connections Are 2 Inch FNPT
- Other Connections: RF Flanges And Victaulic Inlet And Outlet Available

# Fuel Flow Information:

## Flow Rate with Diesel Fuel

Type	Coalescer RVFS	Microfilter RVMF
Size 1	25 GPM (95 LPM)	66 GPM (250 LPM)
Size 2	50 GPM (189 LPM)	133 GPM (503 LPM)
Size 3	75 GPM (284 LPM)	200 GPM (757 LPM)

## Flow Rate with Kerosene-Aviation Fuel

Type	Coalescer RVFS	Microfilter RVMF
Size 1	50 GPM (189 LPM)	66 GPM (250 LPM)
Size 2	100 GPM (378 LPM)	133 GPM (503 LPM)
Size 3	150 GPM (567 LPM)	200 GPM (757 LPM)

# Mounting Information:

### RVFS-1 & RVMF-1

A: 39 in. (99 cm)

B: 34 in. (86 cm)

C: 29 in. (74 cm)

### RVFS-2 & RVMF-2

A: 51 in. (130 cm)

B: 48 in. (122 cm)

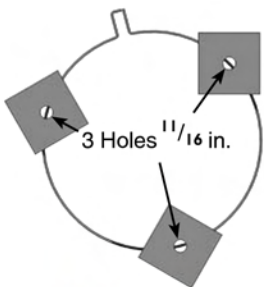
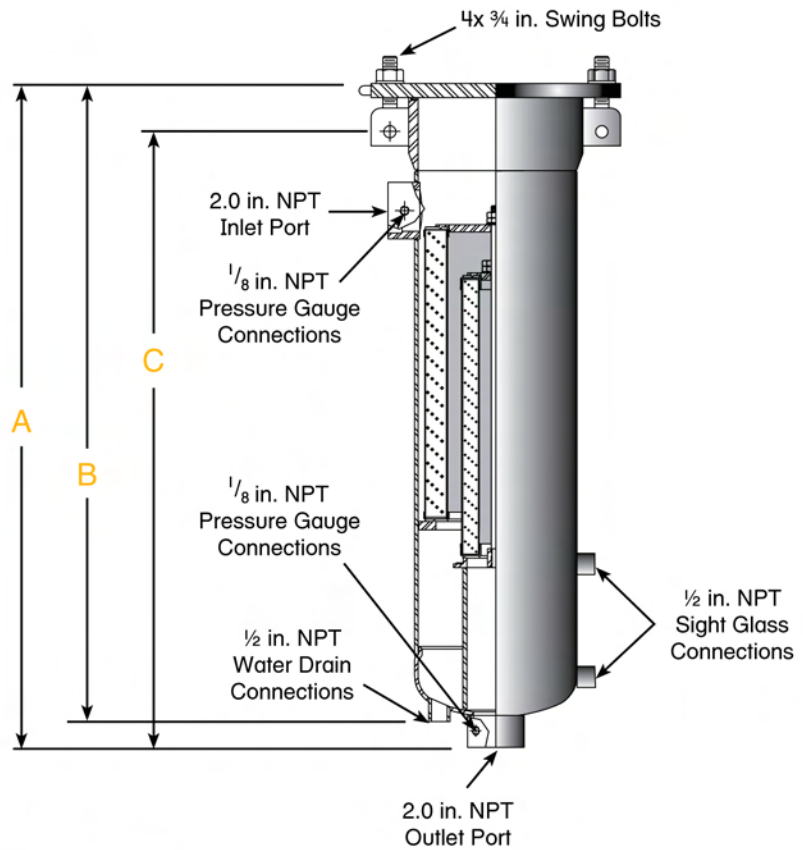
C: 43 in. (109 cm)

### RVFS-3 & RVMF-3

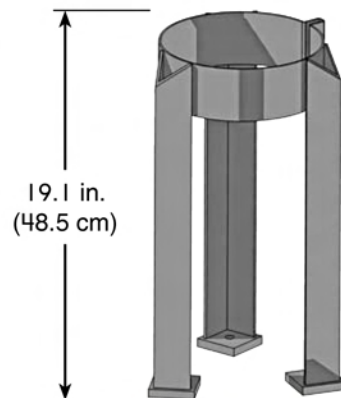
A: 65 in. (165 cm)

B: 62 in. (157 cm)

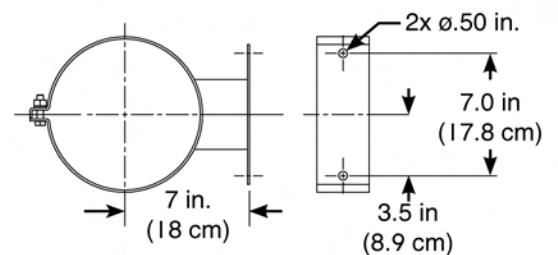
C: 57 in. (145 cm)



Bottom View



Mounting Legs



Bulkhead Mounting Bracket

# RV Series Technical Information:

## Application:

Racor RV Series filter vessels offer an unparalleled high efficiency, versatility, economical, and low maintenance solution to many fuel delivery and industrial filtration applications. The vessels will accept microfilter or coalescer elements.

Filter vessels are used mainly in the diesel and kerosene re-fueling industry and can be seen on countless fuel dispensing locations, providing clean dry fuel. Equally these vessels can be used for AV gas, heating oils, gasoline, and other hydrocarbon fuels.

Racor RV Series vessels provide the required filtration demanded for today's high pressure common rail engines.



Specifications	RVFS-1 RVMF-1	RVFS-2 RVMF-2	RVFS-3 RVMF-3
<b>Inlet and Outlet Ports</b>	2 in. NPT	2 in. NPT	2 in. NPT
<b>Vent and Relief Ports</b>	3/4 in. NPT	3/4 in. NPT	3/4 in. NPT
<b>Water Level Gauge Ports</b>	1/2 in. NPT	1/2 in. NPT	1/2 in. NPT
<b>Differential Gauge Ports</b>	1/8 in. NPT	1/8 in. NPT	1/8 in. NPT
<b>Design Pressure and Temperature</b>	250 PSI @ 250°F (17 bar @ 121°C)		
<b>ASME Code Stamped</b>	Yes	Yes	Yes
<b>Pressure Drop - Clean</b>	2 PSID (0.14 bar)	2 PSID (0.14 bar)	2 PSID (0.14 bar)
<b>Pressure Drop/Element Change-out</b>	25 PSID (1.7 bar)	25 PSID (1.7 bar)	25 PSID (1.7 bar)
<b>Height</b>	39 in. (99 cm)	51 in. (130 cm)	65 in. (165 cm)
<b>Width</b>	13.8 in. (35 cm)	13.8 in. (35 cm)	13.8 in. (35 cm)
<b>Depth</b>	13.5 in. (34 cm)	13.5 in. (34 cm)	13.5 in. (34 cm)
<b>Dry Weight</b>	100 lbs. (45 kgs)	115 lbs. (52 kgs)	130 lbs. (59 kgs)
<b>Overhead Service Clearance</b>	16 in. (41 cm)	32 in. (81 cm)	47 in. (119 cm)

# Ordering:

## I. Fuel filter/water separator vessels

RVFS-1-10C, RVFS-2-10C, RVFS-3-10C with 10 micron elements and all accessories.

**“IN STOCK AND READY TO SHIP”**

OR

## II. Customized RV series with a easy three step configuration: (lead time 10 days)

### Step 1: Choose Vessel

Part Number	Description
RVFS-1	Vessel only
RVFS-2	Vessel only
RVFS-3	Vessel only
RVMF-1	Vessel only
RVMF-2	Vessel only
RVMF-3	Vessel only

### Step 2: Choose Accessories

Part Number	Description
71330-150	Pressure Relief Valve
70906	Water Level Site Gauge, (Diesel only 125 PSIG)
72061-RVFS	Water Level Site Gauge (Jet, AV gas, and Gasoline 300 PSIG)
71679	Air Eliminator
72059	Differential Pressure Gauge Assembly
71943-.75	3/4" NPT Stainless Steel Drain Valve
71981	Mounting Legs
71982	Wall Mount Bracket
72482	Inlet Check Valve

## Step 3: Choose Elements

RVFS-1	Element Description*
OCP-15858	5 Micron Coalescer
SP-15404	5 Micron Separator
OCP-15868	10 Micron Coalescer
SP-15405	10 Micron Separator
OCP-15878	25 Micron Coalescer
SP-15407	25 Micron Separator
RVMF-1	Element Description
FP-14602	2 Micron Silicone Treated Prefilter
FP-14604	5 Micron Silicone Treated Prefilter
FP-14605	10 Micron Silicone Treated Prefilter
FP-14607	25 Micron Silicone Treated Prefilter
RVFS-2	Element Description*
OCP-30858	5 Micron Coalescer
SP-30404	5 Micron Separator
OCP-30868	10 Micron Coalescer
SP-30405	10 Micron Separator
OCP-30878	25 Micron Coalescer
SP-30407	25 Micron Separator
RVMF-2	Element Description
FP-29601	2 Micron Silicone Treated Prefilter
FP-29604	5 Micron Silicone Treated Prefilter
FP-29605	10 Micron Silicone Treated Prefilter
FP-29607	25 Micron Silicone Treated Prefilter
RVFS-3	Element Description*
OCP-44858	5 Micron Coalescer
SP-44404	5 Micron Separator
OCP-44868	10 Micron Coalescer
SP-44405	10 Micron Separator
OCP-44878	25 Micron Coalescer
SP-44407	25 Micron Separator
RVMF-3	Element Description
FP-44601	2 Micron Silicone Treated Prefilter
FP-44604	5 Micron Silicone Treated Prefilter
FP-44605	10 Micron Silicone Treated Prefilter
FP-44607	25 Micron Silicone Treated Prefilter

\* For RVFS-1, 2, and 3, customer must order one **OCP** and one **SP** element.

PROSEP FILTER SYSTEMS LTD  
Unit G19  
River Bank Way  
Lowfields Business Park  
Elland  
West Yorkshire  
HX5 9DN

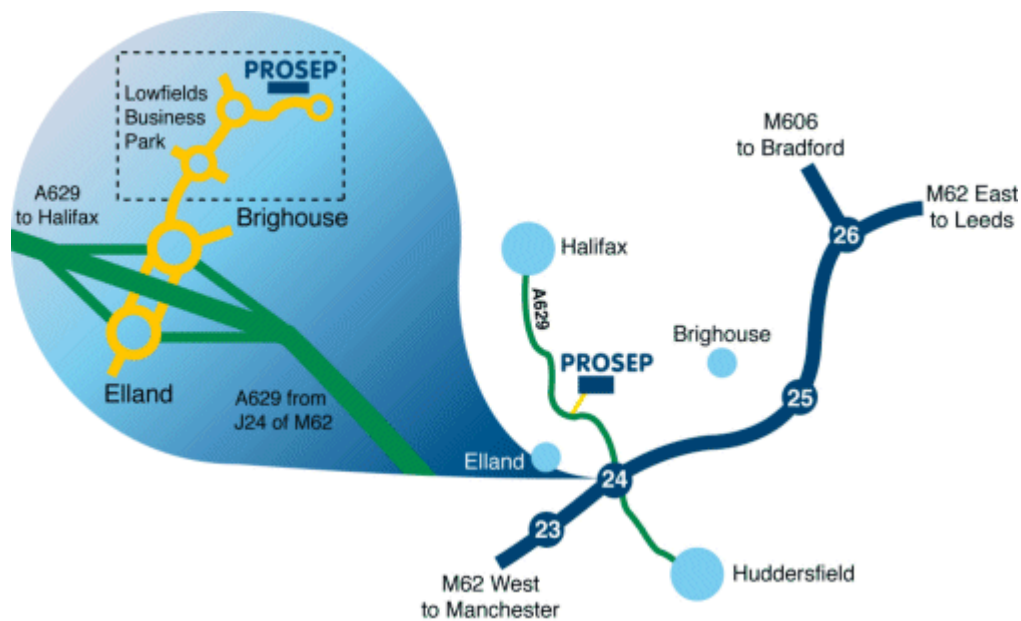
**Tel: 01422 377367**

**Fax: 01422 377369**

Email: [enquiries@prosep.co.uk](mailto:enquiries@prosep.co.uk)

[www.prosep.co.uk](http://www.prosep.co.uk)

**Map and Directions to Prosep Filters Limited**



Leave M62 at Junction 24.

At roundabout adjacent to Cedar Court Hotel take 2nd exit onto dual carriageway (A629), signposted Halifax.

Take 1st exit slip road.

At roundabout at end of sliproad, take 3rd exit off.

This is the entrance to Lowfields Business Park.

Proceed straight over 1st roundabout.

At next roundabout take 2nd exit onto River Bank Way - Prosep Filters can be found on the left after the S-bend.

[Link to Google Maps](#)