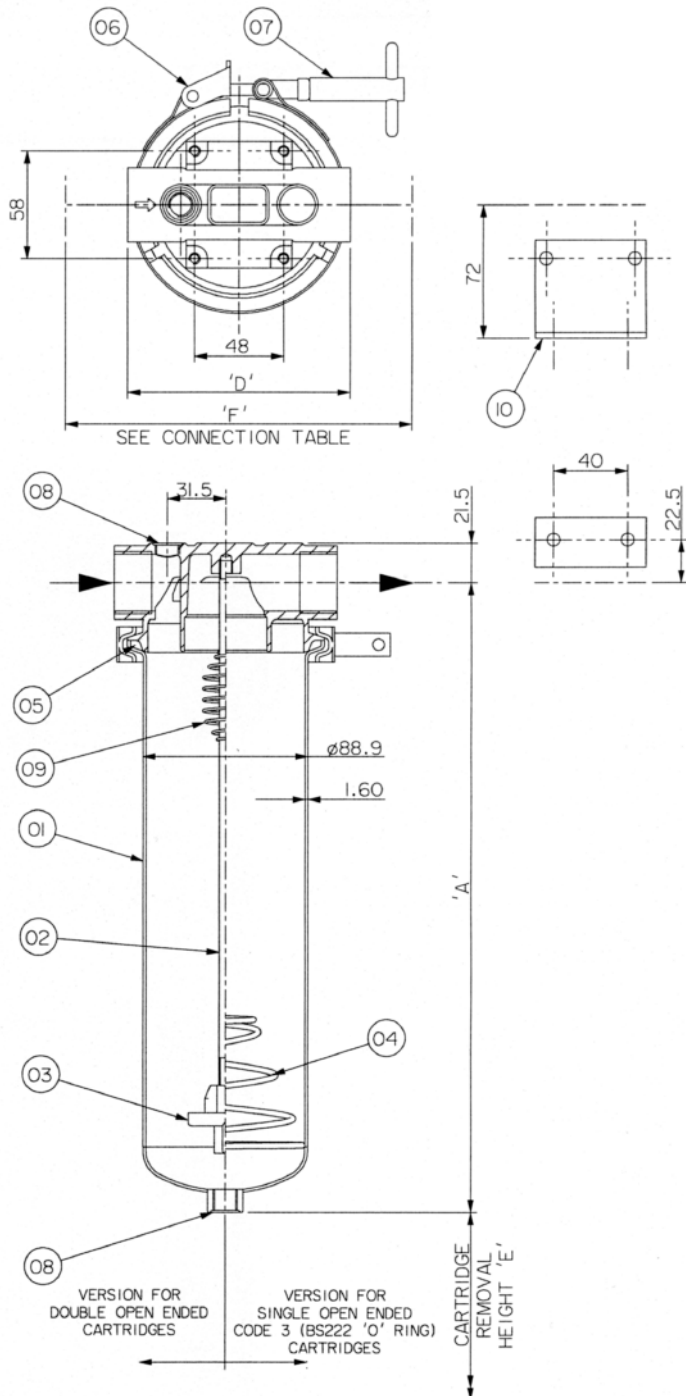


PROSEP FILTER SYSTEMS LTD

51 SERIES SINGLE STACK HOUSING

No.	Description	Material
1	1 HIGH SUMP	316L ST.STL.
1	2 HIGH SUMP	316L ST.STL.
1	3 HIGH SUMP	316L ST.STL.
2	1 HIGH CENTRE ROD	316L ST.STL.
2	2 HIGH CENTRE ROD	316L ST.STL.
2	3 HIGH CENTRE ROD	316L ST.STL.
3	CENTRE ROD NUT	316L ST.STL.
4	P13 SPRING	316L ST.STL.
5	'O' RING	E.P.
5	'O' RING	FEP ENCAP'D SILICONE
5	'O' RING	SILICONE
5	'O' RING	VITON
6	CLAMP WITH TEE BAR	304 ST.STL.
7	CLAMP TEE BAR	304 ST.STL.
8	PLUG AND WASHER	316L/PTFE
9	SPRING	316L ST.STL.
10	BRACKET + 2 SCREWS	304 ST.STL.



Connection Options	Dim 'F'
DN25 BS4504 PN16 SO	240
DN40 BS4504 PN16 SO	255
1" ANSI B16.5 150lb SO	240
1.5" ANSI B16.5 150lb SO	255
DN25 DIN 2633	295
DN40 DIN 2633	330
1" or 1.5" TRI-CLAMP	222

• REFER TO ORDERING GUIDE

Model	No. of Cartridges	Max Operating Conditions Bar.g and °C	Materials of Construction	Connection Size and Type	Volume (litres)	Dry Weight (kg)	Dimension (mm)				
							A	B	C	D	E
51011•VNI0BICE	1 x 10"	10 and 110	316L ST.STL.	1" BSP'F'	2.2	2.5	341	-	-	120	300
51012•VNI0BICE	1 x 20"	10 and 110	316L ST.STL.	1" BSP'F'	3.7	3.5	595	-	-	120	554
51013•VNI0BICE	1 x 30"	10 and 110	316L ST.STL.	1" BSP'F'	5.2	4.5	849	-	-	120	808

UNIT G19, RIVER BANK WAY, LOWFIELDS BUSINESS PARK,
 ELLAND, WEST YORKSHIRE HX5 9DN
 TEL: 01422 377367 FAX: 01422 377369
 Email: sales@prosep.co.uk Web: www.prosep.co.uk