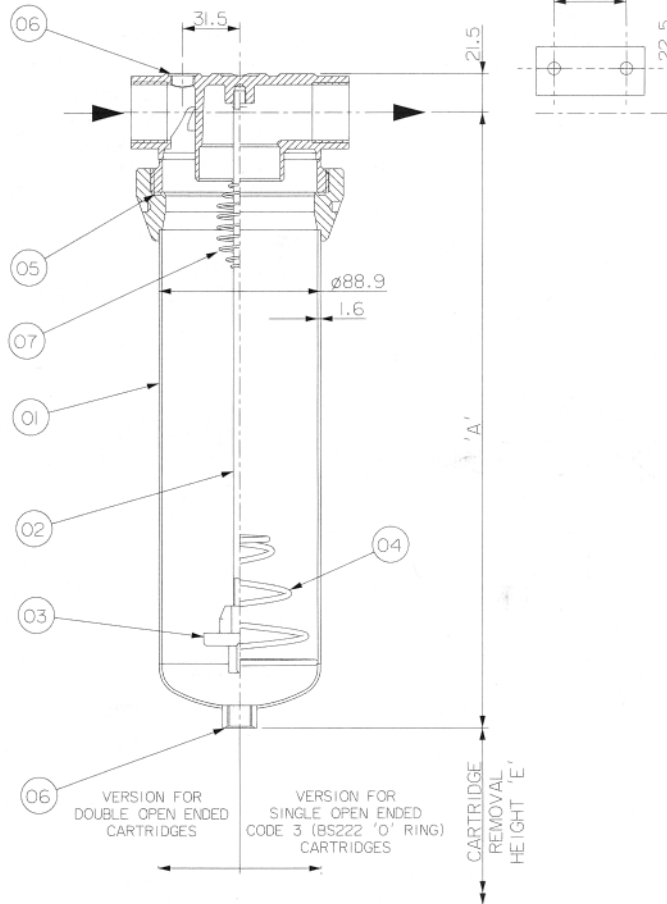
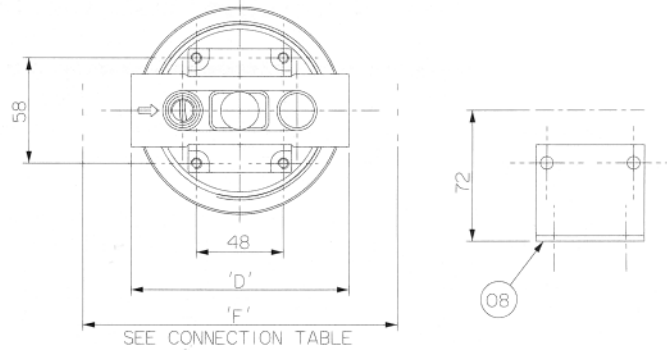


PROSEP FILTER SYSTEMS LTD

53 Series Single Stack Housing

No.	Description	Material	Stock Code
1	1 HIGH SUMP	316L ST.STL.	53S010000
1	2 HIGH SUMP	316L ST.STL.	53S012000
1	3 HIGH SUMP	316L ST.STL.	53S013000
2	1 HIGH CENTRE ROD	316L ST.STL.	50S01000
2	2 HIGH CENTRE ROD	316L ST.STL.	50S012000
2	3 HIGH CENTRE ROD	316L ST.STL.	50S013000
3	CENTRE ROD NUT	316L ST.STL.	50S010001
4	P13 SPRING	316L ST.STL.	50S010300
5	'O' RING	FEP ENCAP'D SILICONE	53S01000F
5	'O' RING	SILICONE	53S01000S
5	'O' RING	VITON	53S01000V
6	PLUG AND WASHER	316L/PTFE	50S010000
7	SPRING	316L ST.STL.	50S010002
8	BRACKET + 2 SCREWS	304 ST.STL.	50S010003



Connection Options	Dim 'F'
DN25 BS4504 PN40 SO	240
DN40 BS4504 PN40 SO	255
1" ANSI B16.5 300lb SO	240
1.5" ANSI B16.5 300lb SO	255
DN25 DIN 2635	300
DN40 DIN 2635	335

* REFER TO ORDERING GUIDE

Model	No. of Cartridges	Max Operating Conditions Bar.g and °C	Materials of Construction	Connection Size and Type	Volume (litres)	Dry Weight (kg)	Dimension (mm)				
							A	B	C	D	E
53011•XNIOBIDV	1 x 10"	28 and 150	316L ST.STL.	1" BSP'F'	2.2	3.0	341	-	-	120	300
53012•XNIOBIDV	1 x 20"	28 and 150	316L ST.STL.	1" BSP'F'	3.7	4.0	595	-	-	120	554
53013•XNIOBIDV	1 x 30"	28 and 150	316L ST.STL.	1" BSP'F'	5.2	5.0	849	-	-	120	808

53 SERIES SINGLE STACK HOUSING
FOR D.O.E. CODE '0' OR
S.O.E. CODE '3' ELEMENTS

UNIT G19, RIVER BANK WAY, LOWFIELDS BUSINESS PARK,
ELLAND, WEST YORKSHIRE HX5 9DN
TEL: 01422 377367 FAX: 01422 377369
Email: sales@prosep.co.uk Web: www.prosep.co.uk