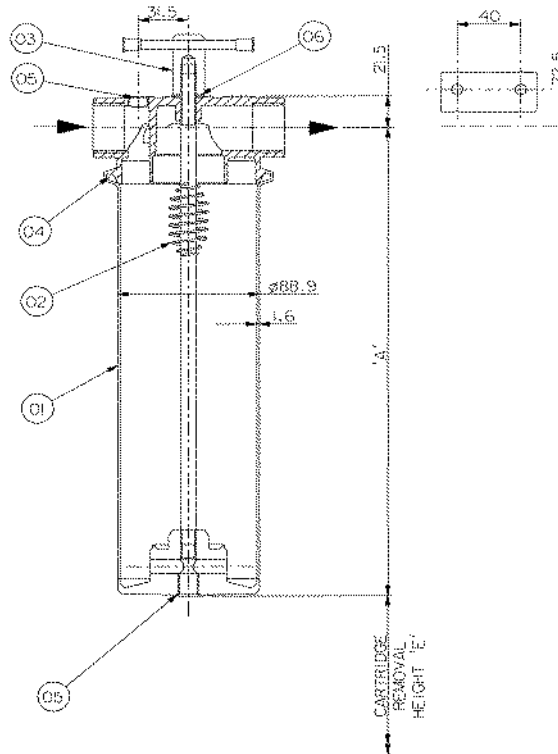
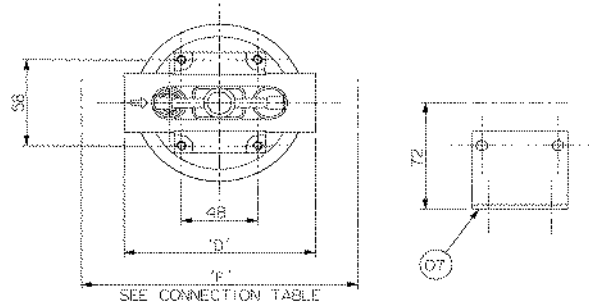


# PROSEP FILTER SYSTEMS LTD

## 55 Series Single Stack Housing

No.	Description	Material
1	HIGH SUMP	316L ST.STL.
1	2 HIGH SUMP	316L ST.STL.
1	3 HIGH SUMP	316L ST.STL.
2	SPRINGS	316L ST.STL.
3	TOP RIM	316L ST.STL.
4	O' RING	E.P.
4	O' RING	NEOPRENE/SILICONE
4	O' RING	SILICONE
4	O' RING	VITON
5	PLUG AND WASHER	316L/PTFE
6	TOP O' RING	PTFE
7	BRACKET - 2 SCREWS	304 ST.STL.



Connection Options	Dim "F"
DN25 BS4834 FNIS SQ	240
DN40 BS4834 FNIS SQ	255
1" ANSI B16.5 ISOB SQ	240
1.5" ANSI B16.5 ISOB SQ	255
DN25 DIN 2633	235
DN40 DIN 2633	330
1" or 1.5" TRI-CLAMP	222

Model	No. of Cartridges	Max Operating Conditions Bar, g and °C	Materials of Construction	Connection Size and Type	Volume (litres)	Dry Weight (kg)	Dimension (mm)				
							A	B	C	D	E
5501C/R/C/B/B/E	1 x 10"	10 and 100	316L ST.STL.	1" BSP F"	1.8	2.6	319	-	-	120	100
5502C/R/C/B/B/E	1 x 20"	10 and 100	316L ST.STL.	1" BSP F"	3.3	3.9	573	-	-	120	100
5503C/R/C/B/B/E	1 x 30"	10 and 100	316L ST.STL.	1" BSP F"	4.8	5.2	627	-	-	120	100

UNIT G19, RIVER BANK WAY, LOWFIELDS BUSINESS PARK,  
 ELLAND, WEST YORKSHIRE HX5 9DN  
 TEL: 01422 377367 FAX: 01422 377369  
 Email: sales@prosep.co.uk Web: www.prosep.co.uk