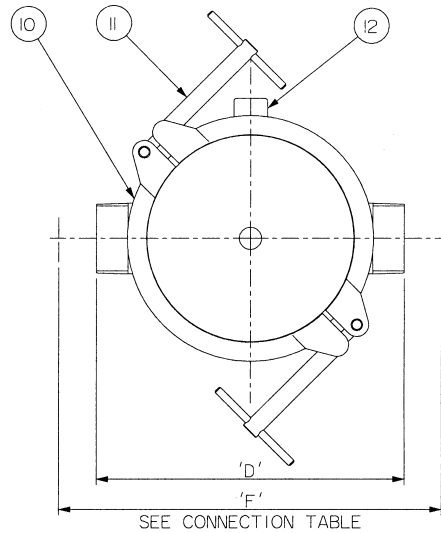


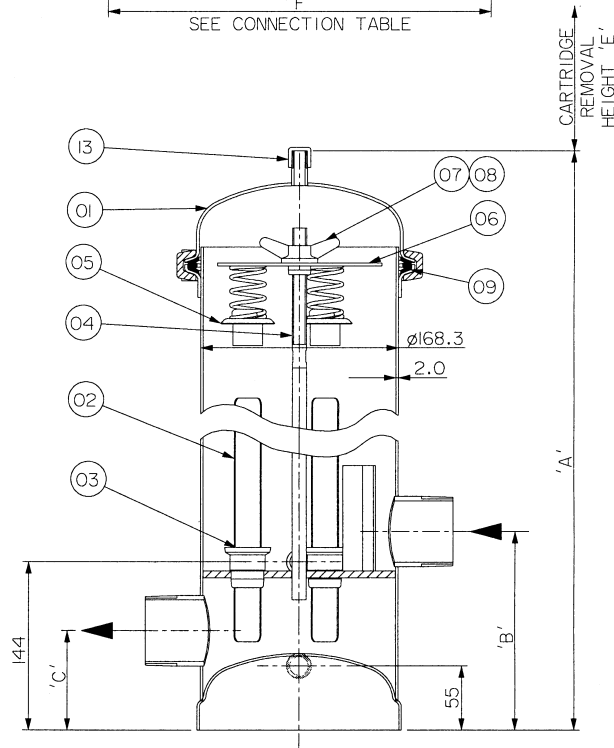
# PROSEP FILTER SYSTEMS LTD

## 61 Series 3 Stack Housing for DOE Code 'O' Elements

No.	Description	Material
1	LID	316L ST.STL.
2	1 HIGH GUIDE + CUP	316L ST.STL.
2	2 HIGH GUIDE + CUP	316L ST.STL.
2	3 HIGH GUIDE + CUP	316L ST.STL.
3	GUIDE CUP	316L ST.STL.
4	CENTRE ROD TOP SECT	316L ST.STL.
5	SPRING + SEAL ASSEMBLY	316L ST.STL.
6	COMPRESSION PLATE	316L ST.STL.
7	COMP NUT + WASHER	316L/PTFE
8	COMP NUT WASHER	PTFE
9	TOP GASKET	E.P.
9	TOP GASKET	SILICONE
9	TOP GASKET	VITON
10	CLAMP	304 ST.STL.
11	CLAMP TEE BAR	316L ST.STL.
12	DRAIN CAPS	316L ST.STL.
13	VENT CAP	316L ST.STL.



Connection Options	Dim 'F'
DN50 BS4504 PN16 SO	275
2" ANSI B16.5 150 lb SO	275
DN50 DIN 2633	355
2" TRI-CLAMP	270
NW50 DIN 11851 'M'	296
2" RJT'M	270
2" IDF'M	270



Model	No. of Cartridges	Max Operating Conditions Bar.g and °C	Materials of Construction	Connection Size and Type	Volume (litres)	Dry Weight (kg)	Dimension (mm)				
							A	B	C	D	E
61O31OAN20AIEE	3 x 10"	10 and 110	316L ST.STL.	2" BSP'M'	9.3	10.5	533	170	85	262	200
61O32OAN20AIEE	3 x 20"	10 and 110	316L ST.STL.	2" BSP'M'	14.7	13.1	788	170	85	262	450
61O33OAN20AIEE	3 x 30"	10 and 110	316L ST.STL.	2" BSP'M'	20.1	15.7	1043	170	85	262	700

UNIT G19, RIVER BANK WAY, LOWFIELDS BUSINESS PARK,  
 ELLAND, WEST YORKSHIRE HX5 9DN  
 TEL: 01422 377367 FAX: 01422 377369  
 Email: sales@prosep.co.uk Web: www.prosep.co.uk