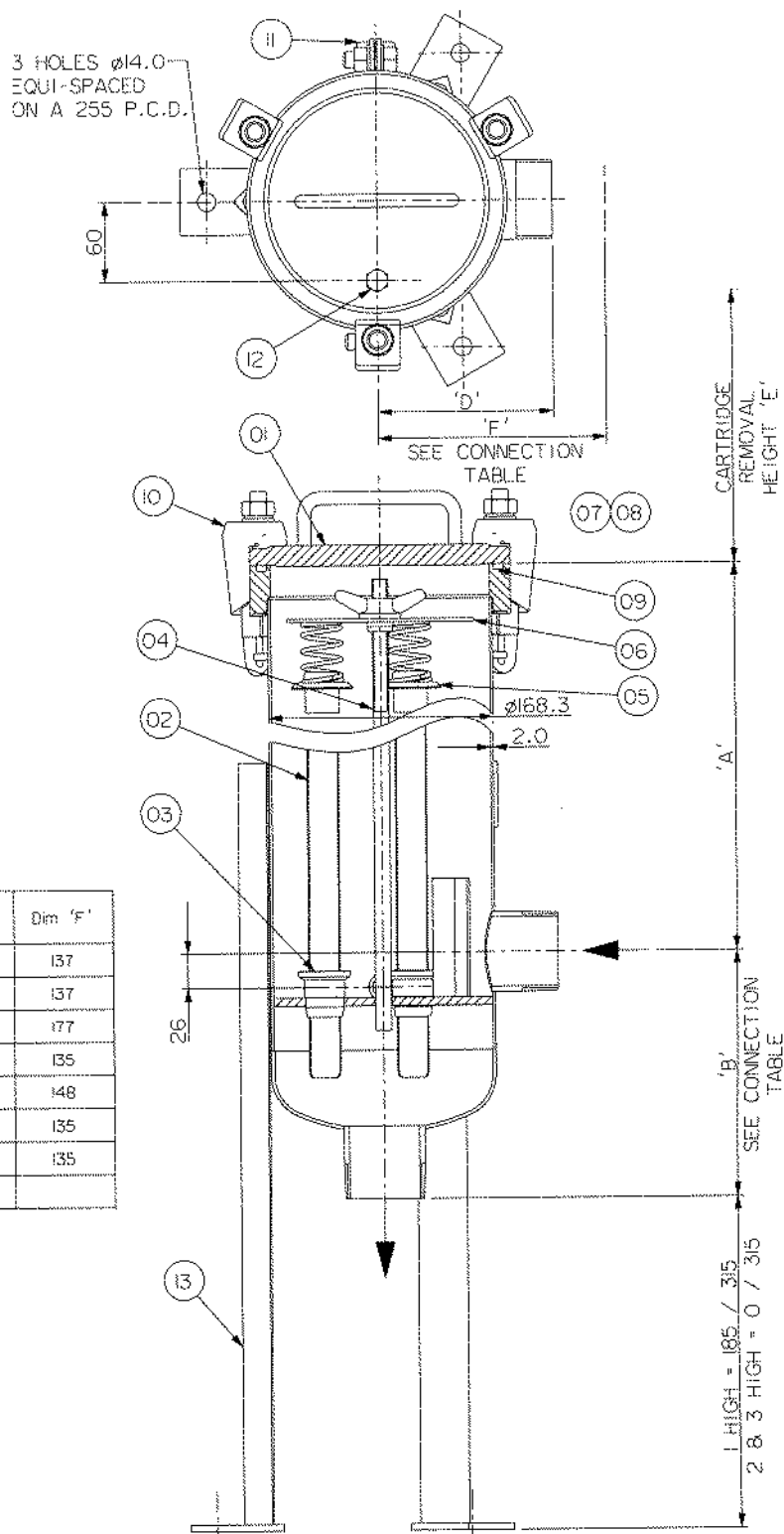


62 Series Stack Housing with Bolted Cover & Dished End

No.	Description	Material
1	LID	316L ST.STL.
2	1 HIGH GLIDE + CUP	316L ST.STL.
2	2 HIGH GLIDE + CUP	316L ST.STL.
2	3 HIGH GLIDE + CUP	316L ST.STL.
4	CENTRE ROD TOP SECT	316L ST.STL.
5	SPRING + SEAL ASSEMBLY	316L ST.STL.
6	COMPRESSION PLATE	316L ST.STL.
7	COMP NUT + WASHER	316L/PTFE
8	COMP NUT WASHER	PTFE
9	O' RING	R.P.
9	O' RING	PEP ENCAP'D SILICONE
9	O' RING	SILICONE
9	O' RING	NYLON
10	CLAMP	CARBON STL.
11	DRAIN CAP	316L ST.STL.
12	VENT PLUG	316L ST.STL.
13	ADJUSTABLE LEGS	304 ST.STL.



Connection Options	Dim 'B'	Dim 'F'
DN50 BS4504 PN16 SO	186	137
2" ANSI B16.5 150lb SO	186	137
DN50 DIN 2633	226	177
2" TRI-CLAMP	187	135
NW50 DIN 1851 'M'	200	148
2" RJT 'M'	187	135
2" IDF 'M'	187	135

Model	No. of Cartridges	Max Operating Conditions Bar.g and °C	Materials of Construction	Connection Size and Type	Volume (litres)	Dry Weight (kg)	Dimension (mm)				
							A	B	C	D	E
6203K0BC20AIEE	3 x 10"	10 and 110	316L ST.STL.	2" BSP 'M'	9.4	18.1	307	186	-	131	300
620320BC20AIEE	3 x 20"	10 and 110	316L ST.STL.	2" BSP 'M'	14.8	20.6	562	186	-	131	550
620330BC20AIEE	3 x 30"	10 and 110	316L ST.STL.	2" BSP 'M'	20.2	23.2	817	186	-	131	800

PROSEP FILTER SYSTEMS LTD

Unit G19 River Bank Way, Lowfields Business Park, Elland, West Yorkshire, HX5 9DN

Tel: 01422 377367 Fax: 01422 377369