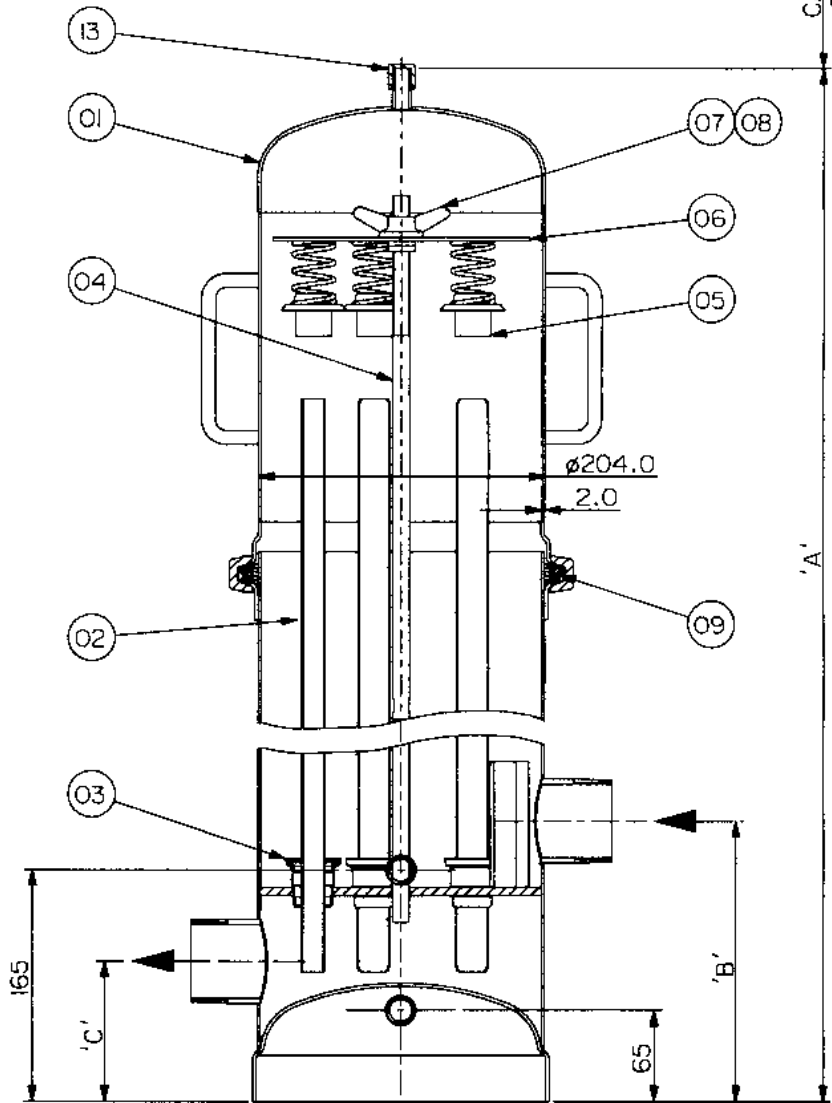
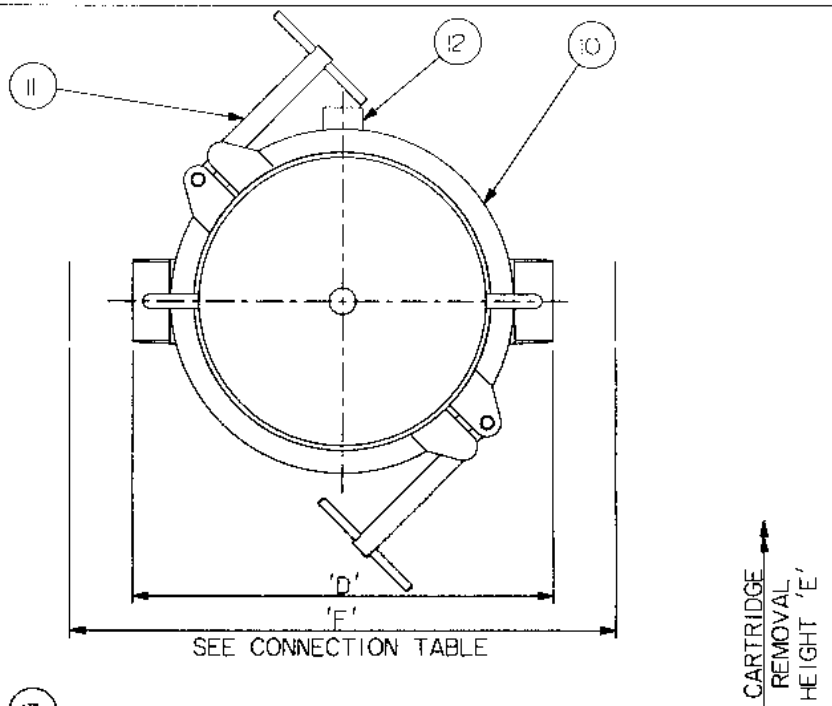


No.	Description	Material	Stock Code
	1 HIGH DOME	316L ST.STL.	63505000
1	2 HIGH DOME	316L ST.STL.	635052000
2	2 HIGH GUIDE + CUP	316L ST.STL.	60S002000
2	3 HIGH GUIDE + CUP	316L ST.STL.	60S003000
2	4 HIGH GUIDE + CUP	316L ST.STL.	60S004000
3	GUIDE CUP	316L ST.STL.	60S000000
4	CENTRE ROD TOP SECTION	316L ST.STL.	635001000
4	CENTRE ROD TOP SECTION	316L ST.STL.	635002000
5	SPRING + SEAL ASSEMBLY	316L ST.STL.	60S000002
6	COMPRESSION PLATE	316L ST.STL.	60S050001
7	COMP NUT + WASHER	316L/PTFE	60S000003
8	COMP NUT WASHER	PTFE	60S00000T
9	TOP GASKET	E.P.	60S05000E
9	TOP GASKET	SILICONE	60S05000S
9	TOP GASKET	VITON	60S05000V
10	CLAMP	304 ST.STL.	60S050002
11	CLAMP TEE BAR	316L ST.STL.	60S000022
12	DRAIN CAPS	316L ST.STL.	60S000005
13	VENT CAP	316L ST.STL.	60S000004

Connection Options	Dim 'F'
DN50 BS4504 PN16 SO	310
2" ANSI B16.5 150 lb SO	310
DN50 DIN 2633	390
2" TRI-CLAMP	305
NW50 DIN 11851 'M'	331
2" RJT 'M'	305
2" IDF 'M'	305

DESIGN PRESSURE Bar g		DESIGN TEMPERATURE °C	
LIQUID	GAS	MIN.	MAX.
10	N/A	0	110

Model	No. of Cartridges	Max Operating Conditions Bar.g and °C	Materials of Construction	Connection Size and Type	Volume (litres)	Dry Weight (kg)	Dimension (mm)				
							A	B	C	D	E
630520AN20AIEE	5 x 20"	SEE TABLE	316L ST.STL.	2" BSP'M'	21.3	16.7	829	200	100	300	350
630530AN20AIEE	5 x 30"	SEE TABLE	316L ST.STL.	2" BSP'M'	29.3	19.8	1084	200	100	300	600
630540AN20AIEE	5 x 40"	SEE TABLE	316L ST.STL.	2" BSP'M'	37.3	22.9	1334	200	100	300	850



63 SERIES 5 STACK HOUSING WITH SPLIT SHELL FOR D.O.E. CODE 'O' ELEMENTS

Drg. No. 6305-1

Rev. 2