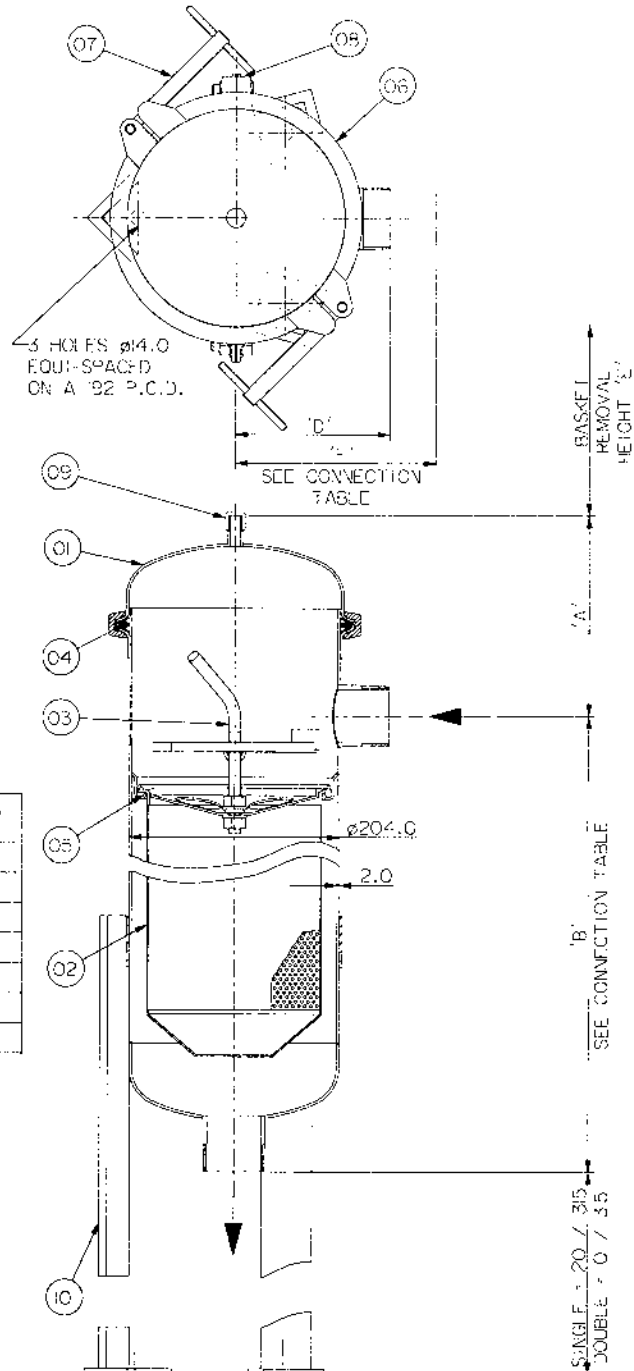


PROSEP FILTER SYSTEMS LTD

85 SERIES BAG FILTER

No.	Description	Material
1	LID	316L ST.STL.
2	SINGLE BASKET	316L ST.STL.
2	DOUBLE BASKET	316L ST.STL.
3	BASKET COMPRESSION PLATE	316L ST.STL.
4	TOP GASKET	E.P.R.
4	TOP GASKET	SILICONE
4	TOP GASKET	VITON
5	INNER GASKET	E.P.R.
5	INNER GASKET	SILICONE
5	INNER GASKET	VITON
6	CLAMP	304 ST.STL.
7	CLAMP TEE BRK	316L ST.STL.
8	DRAIN CAP	316L ST.STL.
9	VENT CAP	316L ST.STL.
10	ADJUSTABLE LEGS	304 ST.STL.



Connection Options	Dim 'B' Single	Dim 'B' Double	Dim 'F'
DIN50 BS4504 PN6 SC	540	900	156
2" ANSI 316.5 50lb SC	540	900	156
DIN50 DIN 2633	580	940	196
2" TRI-CLAMP	541	901	154
INW50 DIN 1185 M	554	914	167
2" RJT 'M'	541	901	154
2" DR 'M'	541	901	154

Model	No. of Cartridges	Max Operating Conditions Bar.g and °C	Materials of Construction	Connection Size and Type	Volume (litres)	Dry Weight (kg)	Dimension (mm)				
							A	B	C	D	E
B501SAC204EE	1 x SINGLE	10 and 10	316L ST.STL.	2" BSP 'M'	20.6	18.0	196	540	-	150	300
B502SAC204IFF	1 x DOUBLE	10 and 10	316L ST.STL.	2" BSP 'M'	31.9	23.9	196	900	-	150	660

UNIT G19, RIVER BANK WAY, LOWFIELDS BUSINESS PARK,
 ELLAND, WEST YORKSHIRE HX5 9DN
 TEL: 01422 377367 FAX: 01422 377369
 Email: sales@prosep.co.uk Web: www.prosep.co.uk