

PROSEP FILTER SYSTEMS LTD

AQUA HOUSINGS

PRODUCT INFORMATION SHEET

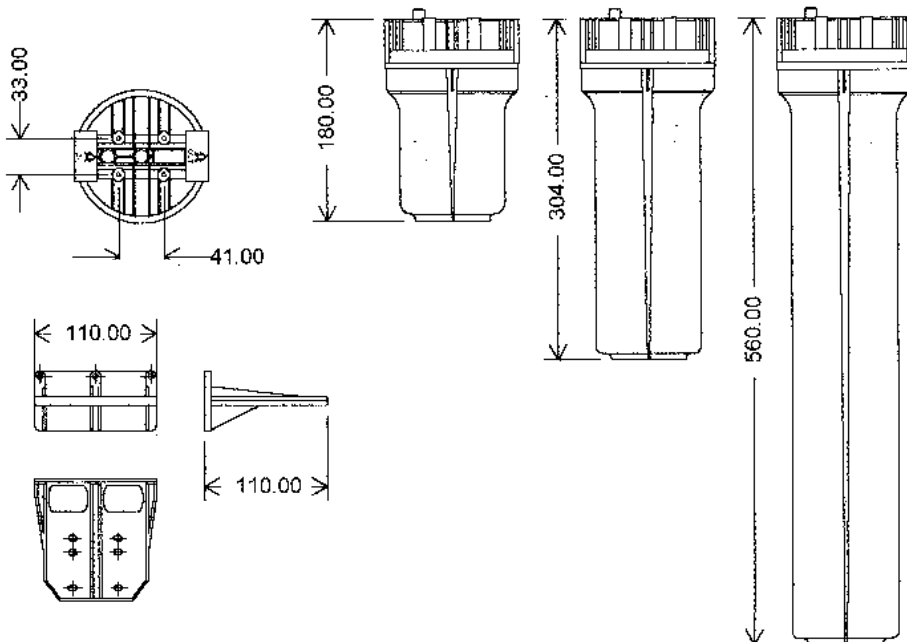


Aqua Housings

Specification:

Head:	Filled polypropylene
Bowl:	Transparent SAN or Opaque polypropylene
O-Ring Options:	Nitrile, EPDM or Viton
Relief Valve:	Optional
Working Pressure:	8 bar maximum
Bursting Pressure:	35 bar
Working Temperature:	50°C
Cyclic Pressure Test:	Passed 200,000 cycles from 0 - 10 bar

Dimensions shown for 1/2" ported versions



Please see over for details of filter housing specifications.

UNIT G19, RIVER BANK WAY, LOWFIELDS BUSINESS PARK,
ELLAND, WEST YORKSHIRE HX5 9DN
TEL: 01422 377367 FAX: 01422 377369
Email: sales@prosep.co.uk Web: www.prosep.co.uk

PROSEP FILTER SYSTEMS LTD

AQUA HOUSINGS

PRODUCT INFORMATION SHEET

POLYPROPYLENE BOWL (Opaque)

PART NO	PRODUCT	INLET/OUTLET	CARTRIDGE	CASE QTY
1030010	5" Model 103 - 1/4" Opaque	1/4" BSP (F)	4 7/8" DOE or 213	24
1030050	5" Model 103 - 3/8" Opaque	3/8" BSP (F)	4 7/8" DOE or 213	24
1030090	5" Model 103 - 1/2" Opaque	1/2" BSP (F)	4 7/8" DOE or 213	24
1030130	5" Model 103 - 3/4" Opaque	3/4" BSP (F)	4 7/8" DOE or 213	24
1030170	5" Model 103 - 1" Opaque	1" BSP (F)	4 7/8" DOE or 213	24
1030030	10" Model 103 - 1/4" Opaque	1/4" BSP (F)	9 3/4" DOE or 213	12
1030070	10" Model 103 - 3/8" Opaque	3/8" BSP (F)	9 3/4" DOE or 213	12
1030110	10" Model 103 - 1/2" Opaque	1/2" BSP (F)	9 3/4" DOE or 213	12
1030150	10" Model 103 - 3/4" Opaque	3/4" BSP (F)	9 3/4" DOE or 213	12
1030190	10" Model 103 - 1" Opaque	1" BSP (F)	9 3/4" DOE or 213	12
1030120	20" Model 103 - 1/2" Opaque	1/2" BSP (F)	20" DOE or 213	1
1030160	20" Model 103 - 3/4" Opaque	3/4" BSP (F)	20" DOE or 213	1
1030200	20" Model 103 - 1" Opaque	1" BSP (F)	20" DOE or 213	1

SAN BOWL (Transparent)

PART NO	PRODUCT	INLET/OUTLET	CARTRIDGE	CASE QTY
1020010	5" Model 102 - 1/4" Clear	1/4" BSP (F)	4 7/8" DOE or 213	24
1020040	5" Model 102 - 3/8" Clear	3/8" BSP (F)	4 7/8" DOE or 213	24
1020070	5" Model 102 - 1/2" Clear	1/2" BSP (F)	4 7/8" DOE or 213	24
1020100	5" Model 102 - 3/4" Clear	3/4" BSP (F)	4 7/8" DOE or 213	24
1020130	5" Model 102 - 1" Clear	1" BSP (F)	4 7/8" DOE or 213	24
1020030	10" Model 102 - 1/4" Clear	1/4" BSP (F)	9 3/4" DOE or 213	12
1020060	10" Model 102 - 3/8" Clear	3/8" BSP (F)	9 3/4" DOE or 213	12
1020090	10" Model 102 - 1/2" Clear	1/2" BSP (F)	9 3/4" DOE or 213	12
1020120	10" Model 102 - 3/4" Clear	3/4" BSP (F)	9 3/4" DOE or 213	12
1020150	10" Model 102 - 1" Clear	1" BSP (F)	9 3/4" DOE or 213	12
2020120	20" Model 102 - 1/2" Clear	1/2" BSP (F)	20" DOE or 213	1
2020160	20" Model 102 - 3/4" Clear	3/4" BSP (F)	20" DOE or 213	1
2020200	20" Model 102 - 1" Clear	1" BSP (F)	20" DOE or 213	1

FILTER HOUSING ACCESSORIES

MOUNTING BRACKETS	O-RINGS	BOWL SPANNER
SINGLE - AQACA600000	NITRILE - AQACA0001	AQACA6010010
DOUBLE - PRODOM0450	EPDM - AQAC0002	
	VITON - AQAC003	

UNIT G19, RIVER BANK WAY, LOWFIELDS BUSINESS PARK,
 ELLAND, WEST YORKSHIRE HX5 9DN
 TEL: 01422 377367 FAX: 01422 377369
 Email: sales@prosep.co.uk Web: www.prosep.co.uk