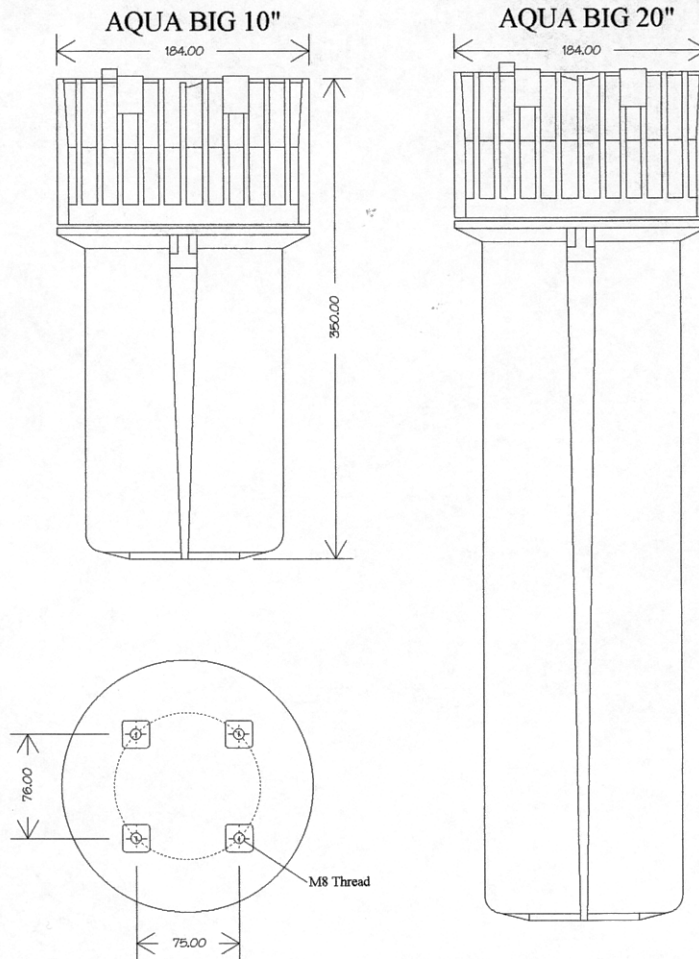


PROSEP FILTER SYSTEMS LTD

Aqua Big Housing Dimensions



INLET/OUTLET PORT OPTIONS: 1" OR 1 1/2" BSP(F)
 MAXIMUM OPERATING PRESSURE: 6 BAR
 MAXIMUM OPERATING TEMPERATURE: 50 CELSIUS

DRWG. NO. A10500		DATE 23/06/00	TITLE GENERAL ARRANGEMENT AQUA 'BIG' HOUSINGS		
REVISION	DATE	SIGN	SCALE NTS	MATERIAL POLYPROPYLENE	MICRON N/A
			PROSEP FILTER SYSTEMS LTD G19 River Bank Way Lowfields Business Park Elland West Yorkshire HX5 9DN TEL: 01422 377367 FAX: 01422 377369		
The copyright of this drawing is reserved by Prosep Filter Systems Ltd. It is issued on the condition that it is not copied, reproduced or disclosed to any third party either wholly or in without the consent in writing of Prosep Filter Systems Ltd					

UNIT G19, RIVER BANK WAY, LOWFIELDS BUSINESS PARK,
 ELLAND, WEST YORKSHIRE HX5 9DN
 TEL: 01422 377367 FAX: 01422 377369
 Email: sales@prosep.co.uk Web: www.prosep.co.uk