

PROSEP FILTER SYSTEMS LTD

AQUA MINI & MICRO HOUSINGS

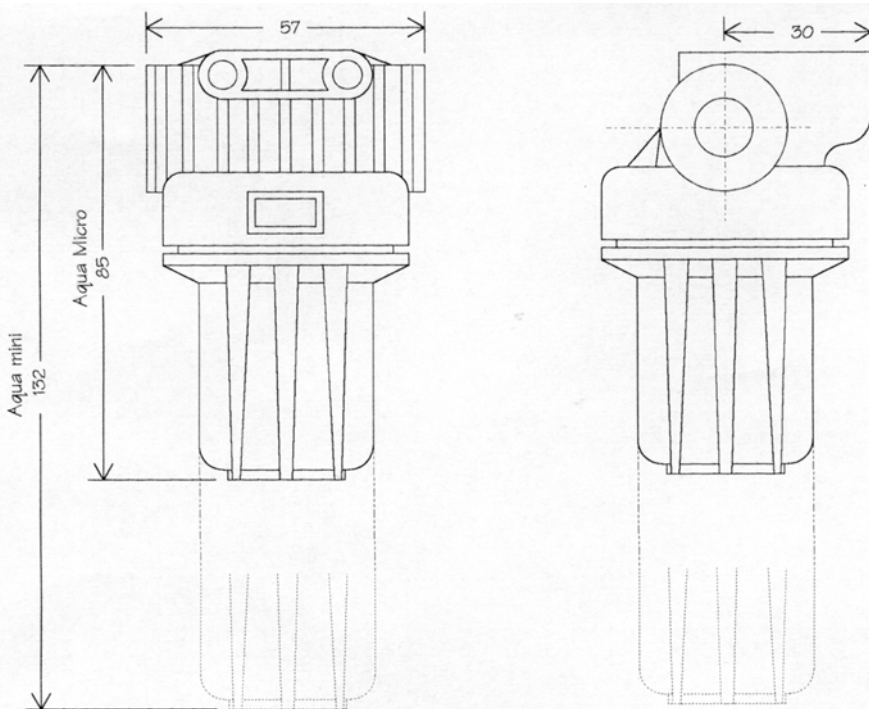


Application:

The Aqua Series of Micro & Mini containers have a unique shaped head which allows them to be installed directly onto the wall. These housings are particularly suitable for filtration in any situation where a minimum amount of water is used.

Specification:

<i>Head:</i>	Polypropylene without brass inserts
<i>Bowl:</i>	Transparent SAN OR Polypropylene (White)
<i>O-Ring:</i>	NBR 70 Sh
<i>Working Pressure:</i>	8 bar Max.
<i>Burst Pressure:</i>	
Aqua Mini:	44 bar Max.
Aqua Micro:	43 bar Max.
<i>Working Temperature:</i>	0 deg.C + 50 deg.C min/max
<i>Capacity (empty) at 2 bar:</i>	
Aqua Mini:	1/4" 30 lt/min - 3/8" 47 lt/min
Aqua Micro:	1/4" 30 lt/min - 3/8" 47 lt/min
<i>Life Test:</i>	200,000 cycles from 0-10 bar



PART NUMBERS

<i>MINI 1/4"</i>	A8030210
<i>MINI 3/8"</i>	A8030220
<i>MICRO 1/4"</i>	A8030310
<i>MICRO 3/8"</i>	A8030320

FILTER HOUSINGS SUPPLIED COMPLETE WITH 80 MICRON MESH ELEMENT.

UNIT G19, RIVER BANK WAY, LOWFIELDS BUSINESS PARK,
ELLAND, WEST YORKSHIRE HX5 9DN
TEL: 01422 377367 FAX: 01422 377369
Email: sales@prosep.co.uk Web: www.prosep.co.uk