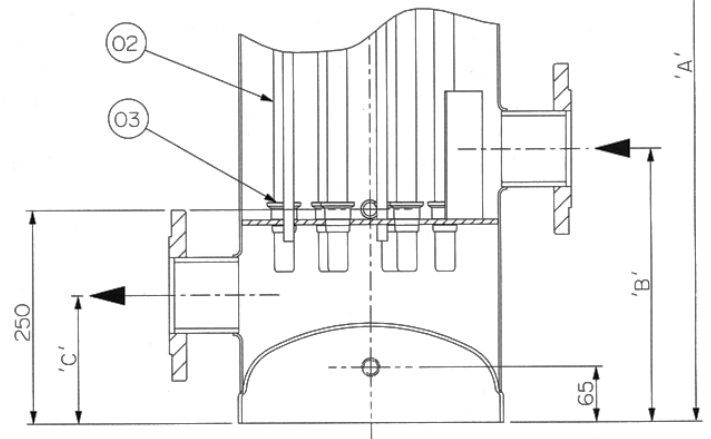
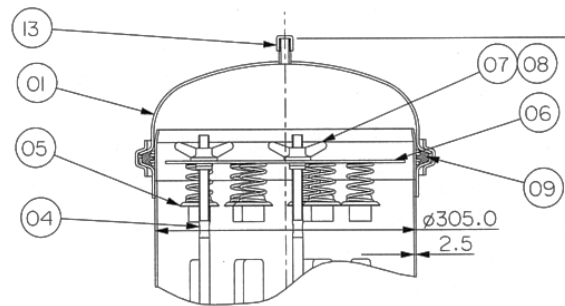
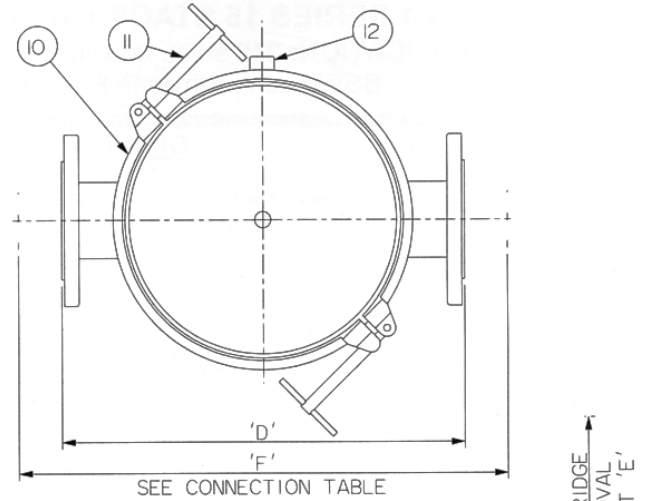


PROSEP FILTER SYSTEMS LTD

61 SERIES 10 STACK HOUSING

No.	Description	Material
1	LID	316L ST.STL.
2	2 HIGH GUIDE + CUP	316L ST.STL.
2	3 HIGH GUIDE + CUP	316L ST.STL.
2	4 HIGH GUIDE + CUP	316L ST.STL.
3	GUIDE CUP	316L ST.STL.
4	CENTRE ROD TOP SECT	316L ST.STL.
5	SPRING + SEAL ASSEMBLY	316L ST.STL.
6	COMPRESSION PLATE	316L ST.STL.
7	COMP NUT + WASHER	316L/PTFE
8	COMP NUT WASHER	PTFE
9	TOP GASKET	E.P.
9	TOP GASKET	SILICONE
9	TOP GASKET	VITON
10	CLAMP	304 ST.STL.
11	CLAMP TEE BAR	316L ST.STL.
12	DRAIN CAPS	316L ST.STL.
13	VENT CAP	316L ST.STL.



Connection Options	Dim 'F'
3" ANSI B16.5 150 lb SO	470
DN80 DIN 2633	560
3" TRI-CLAMP	450
NW80 DIN 11851 'M'	495
3" RJT 'M'	450
3" IDF 'M'	450

Model	No. of Cartridges	Max Operating Conditions Bar.g and °C	Materials of Construction	Connection Size and Type	Volume (litres)	Dry Weight (kg)	Dimension (mm)				
							A	B	C	D	E
611020AN30CIEE	10 x 20"	8.5 and 110	316 ST.STL.	3" BS4504 PN16 RF/SO	57	45	936	320	150	470	500
611030AN30CIEE	10 x 30"	8.5 and 110	316 ST.STL.	3" BS4504 PN16 RF/SO	75	52	1191	320	150	470	750
611040AN30CIEE	10 x 40"	8.5 and 110	316 ST.STL.	3" BS4504 PN16 RF/SO	93	59	1446	320	150	470	1000

UNIT G19, RIVER BANK WAY, LOWFIELDS BUSINESS PARK,
 ELLAND, WEST YORKSHIRE HX5 9DN
 TEL: 01422 377367 FAX: 01422 377369
 Email: sales@prosep.co.uk Web: www.prosep.co.uk