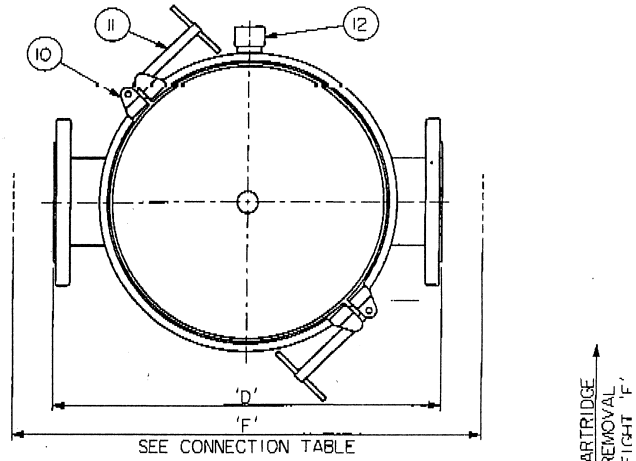


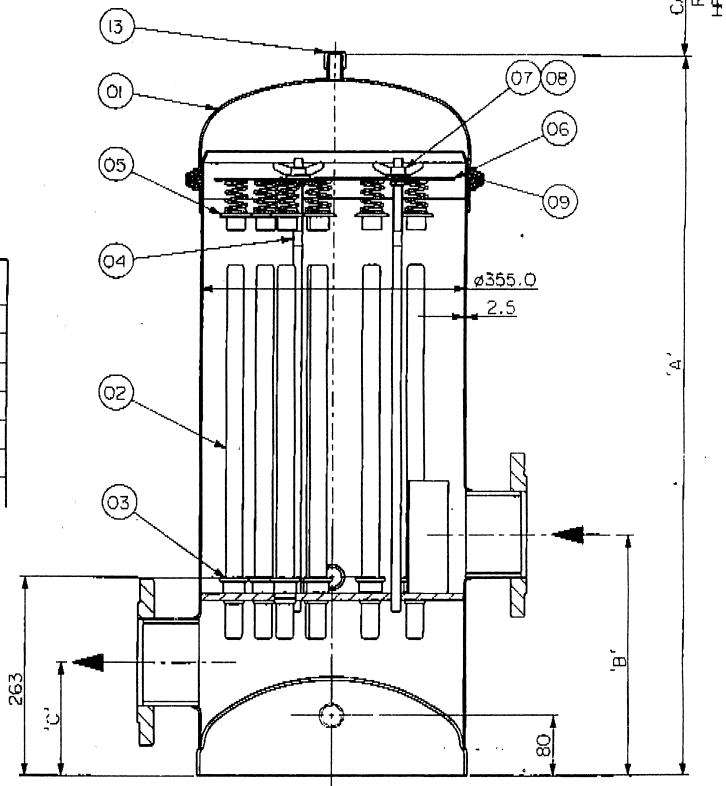
PROSEP FILTER SYSTEMS LTD

61 SERIES 15 STACK HOUSING FOR DOE ELEMENTS

No.	Description	Material
1	LID	316L ST.STL.
2	2 HIGH GUIDE + CLIP	316L ST.STL.
2	2 HIGH GUIDE + CLIP	316L ST.STL.
2	2 HIGH GUIDE + CLIP	316L ST.STL.
3	GUIDE CLIP	316L ST.STL.
4	CENTRE ROD TOP SECT	316L ST.STL.
5	SPRING + SEAL ASSEMBLY	316L ST.STL.
6	COMPRESSION PLATE	316L ST.STL.
7	COMP NUT + WASHER	316L/PTFE
8	COMP NUT WASHER	PTFE
9	TOP GASKET	E.P.
9	TOP GASKET	VITON
10	CLAMP	304 ST.STL.
11	CLAMP TEE BAR	316L ST.STL.
12	DRAIN CAPS	316L ST.STL.
13	VENT CAP	316L ST.STL.



Connection Options	Dim 'F'
4" ANSI B16.5 150 lb SO	520
DNICO DIN 2633	610
4" TRI-CLAMP	494
NWICO DIN 11851 'M'	560
4" RJT 'M'	505
4" IDF 'M'	510



Model	No. of Cartridges	Max Operating Conditions Bar.g and °C	Materials of Construction	Connection Size and Type	Volume (litres)	Dry Weight (kg)	Dimension (mm)				
							A	B	C	D	E
61520AN40CIEE	15 x 20"	6 and 110	316 ST.STL.	4" BS4504 PN16 RF/SO	77.5	57.4	967	320	150	520	500
61530AN40CIEE	15 x 30"	6 and 110	316 ST.STL.	4" BS4504 PN16 RF/SO	102.0	64.8	1222	320	150	520	750
61540AN40CIEE	15 x 40"	6 and 110	316 ST.STL.	4" BS4504 PN16 RF/SO	126.5	72.2	1477	320	150	520	1000

UNIT G19, RIVER BANK WAY, LOWFIELDS BUSINESS PARK,
 ELLAND, WEST YORKSHIRE HX5 9DN
 TEL: 01422 377367 FAX: 01422 377369
 Email: sales@prosep.co.uk Web: www.prosep.co.uk