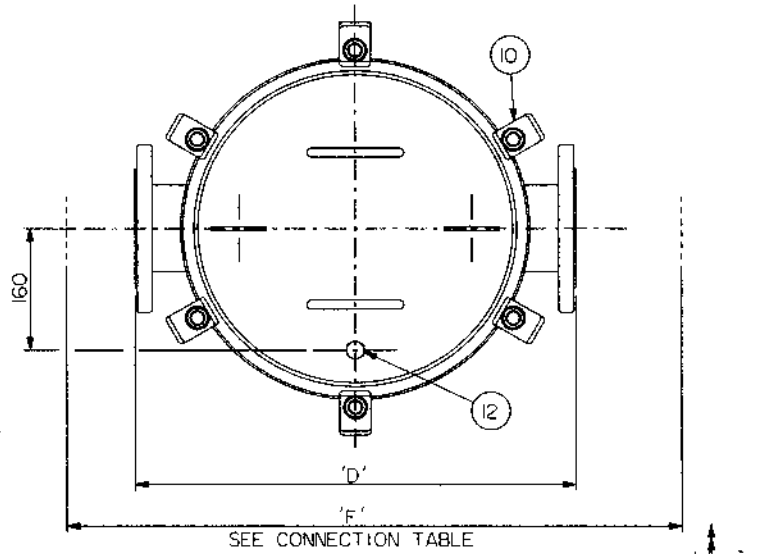


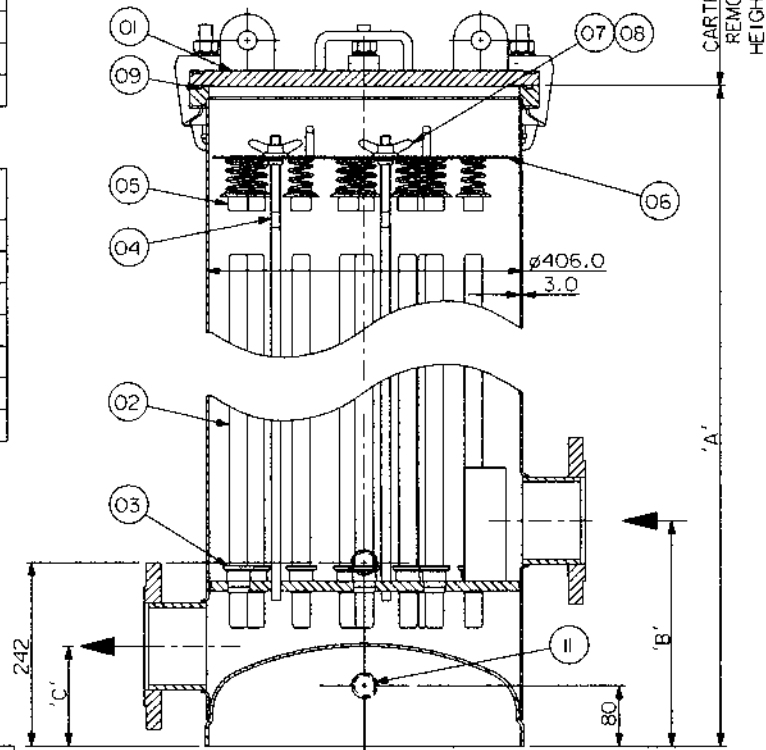
# PROSEP FILTER SYSTEMS LTD

## 19 Stack Housing Type 61

| No. | Description            | Material             | Stock Code |
|-----|------------------------|----------------------|------------|
| 1   | LID                    | 316L ST.STL.         | N/A        |
| 2   | 3 HIGH GUIDE + CLIP    | 316L ST.STL.         | 60S003000  |
| 2   | 4 HIGH GUIDE + CLIP    | 316L ST.STL.         | 60S004000  |
| 3   | GUIDE CLIP             | 316L ST.STL.         | 60S000000  |
| 4   | CENTRE ROD TOP SECT    | 316L ST.STL.         | 60S000001  |
| 5   | SPRING + SEAL ASSEMBLY | 316L ST.STL.         | 60S000002  |
| 6   | COMPRESSION PLATE      | 316L ST.STL.         | 62S190001  |
| 7   | COMP NUT + WASHER      | 316L/PTFE            | 60S000003  |
| 8   | COMP NUT WASHER        | PTFE                 | 60S00000T  |
| 9   | TOP GASKET             | E.P.                 | 62S19000E  |
| 9   | TOP GASKET             | PEP ENCAP'D SILICONE | 62S19000F  |
| 9   | TOP GASKET             | SILICONE             | 62S19000S  |
| 9   | TOP GASKET             | WITON                | 62S19000V  |
| 10  | CLAMP                  | CARBON STEEL         | 60S000024  |
| 11  | DRAIN CAP              | 316L ST.STL.         | 60S000006  |
| 12  | VENT PLUG              | 316L ST.STL.         | 60S000008  |



| Connection Options      | Dim 'F' |
|-------------------------|---------|
| 4" ANSI B16.5 150 lb 50 | 568     |
| DN800 DIN 2653          | 658     |
| 4" TRI-CLAMP            | 542     |
| AW100 DIN 11851 'M'     | 608     |
| 4" RJT 'M'              | 553     |
| 4" IDF 'M'              | 558     |



| DESIGN PRESSURE Bar g |     | DESIGN TEMPERATURE °C |      |
|-----------------------|-----|-----------------------|------|
| LIQUID                | GAS | MIN.                  | MAX. |
| 6                     | N/A | 0                     | 110  |

|  | No. of Cartridges | Max Operating Conditions Bar.g and °C | Materials of Construction | Connection Size and Type | Volume (litres) | Dry Weight (kg) | Dimension (mm) |     |     |     |      |
|--|-------------------|---------------------------------------|---------------------------|--------------------------|-----------------|-----------------|----------------|-----|-----|-----|------|
|  |                   |                                       |                           |                          |                 |                 | A              | B   | C   | D   | E    |
|  | 19 x 30"          | SEE TABLE                             | 316 ST.STL.               | 4" BS4504 PN16 RF/SO     | 128             | 113.2           | 1125           | 297 | 132 | 568 | 800  |
|  | 19 x 40"          | SEE TABLE                             | 316 ST.STL.               | 4" BS4504 PN16 RF/SO     | 160             | 123             | 1379           | 297 | 132 | 568 | 1050 |

UNIT G19, RIVER BANK WAY, LOWFIELDS BUSINESS PARK,  
 ELLAND, WEST YORKSHIRE HX5 9DN  
 TEL: 01422 377367 FAX: 01422 377369  
 Email: sales@prosep.co.uk Web: www.prosep.co.uk