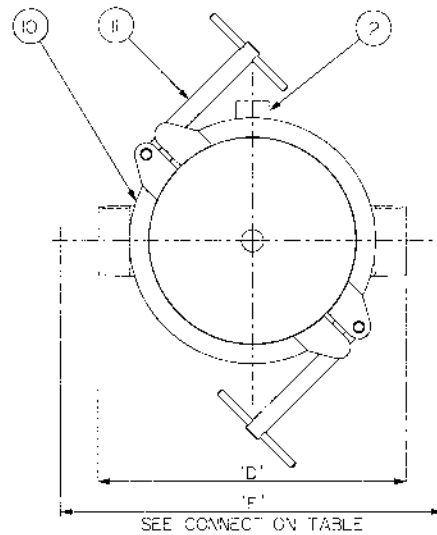


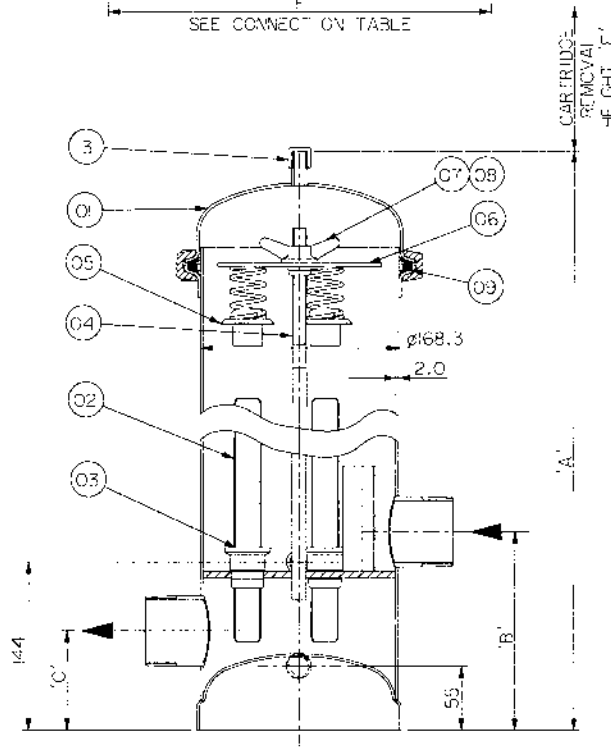
PROSEP FILTER SYSTEMS LTD

61 Series 3 Stack Housing for DOE Code 'O' Elements

No.	Description	Material
1	I/O	316L ST.STL.
2	HIGH GUIDE + CUP	316L ST.STL.
2	2 HIGH GUIDE + CUP	316L ST.STL.
2	3 HIGH GUIDE + CUP	316L ST.STL.
3	BUOY CUP	316L ST.STL.
4	CENTRE ROD TOP SECT	316L ST.STL.
5	SPRING + SEAL ASSEMBLY	316L ST.STL.
6	COMPRESSION PLATE	316L ST.STL.
7	COMP. W/ + WASHER	316L/PTFE
8	COMP. W/ + WASHER	PTFE
9	TOP GASKET	E.P.
9	TOP GASKET	5H1100NF
9	TOP GASKET	V10K
10	CLAMP	304 ST.STL.
11	CLAMP TEE BAR	316L ST.STL.
12	DRAIN CAPS	316L ST.STL.
13	VENT CAP	316L ST.STL.



Connection Options	Dim. 'F'
DN50 BSP 504 PWR SD	275
2" ANSI 118.5 150 lb SD	275
DN50 DIN 2620	355
2" TRI-C. AMP	270
NW50 DIN 11851 'M'	296
2" RJT 'M'	270
2" IDF 'M'	270



Model	No. of Cartridges	Max Operating Conditions Bar.g and °C	Material of Construction	Connection Size and Type	Volume (litres)	Dry Weight (kg)	Dimension (mm)				
							A	B	C	D	E
6'03'DAN20A1EE	3 x 0"	10 and 10	316L ST.STL.	2" BSP 'M'	9.3	10.5	533	170	B5	262	200
6'03'DAN20A1EE	3 x 20"	10 and 10	316L ST.STL.	2" BSP 'M'	14.7	13.1	788	170	B5	262	450
6'03'DAN20A1EE	3 x 30"	10 and 10	316L ST.STL.	2" BSP 'M'	20.1	15.7	1043	170	B5	262	700

UNIT G19, RIVER BANK WAY, LOWFIELDS BUSINESS PARK,
 ELLAND, WEST YORKSHIRE HX5 9DN
 TEL: 01422 377367 FAX: 01422 377369
 Email: sales@prosep.co.uk Web: www.prosep.co.uk