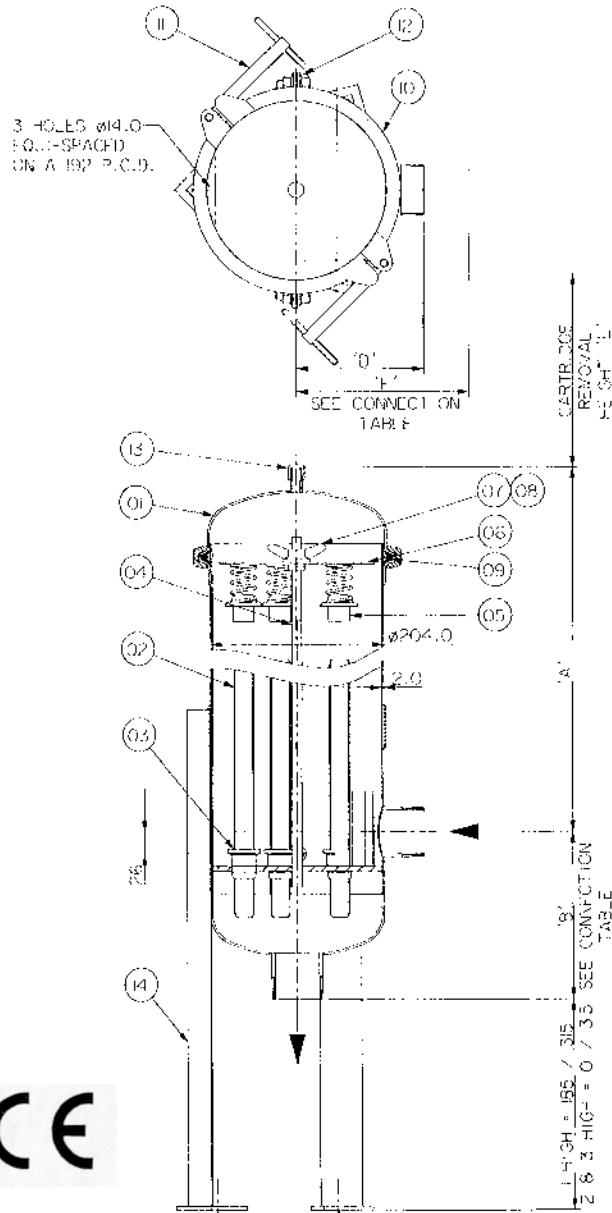


PROSEP FILTER SYSTEMS LTD

62 SERIES 5 STACK HOUSING

With Dished End For DOE Code 'O' Elements

| No | Description | Material |
|----|------------------------|--------------|
| 1 | LID | 316L ST. STL |
| 2 | 1 HIGH GUIDE + CUP | 316L ST. STL |
| 2 | 2 HIGH GUIDE + CUP | 316L ST. STL |
| 2 | 3 HIGH GUIDE + CUP | 316L ST. STL |
| 2 | 4 HIGH GUIDE + CUP | 316L ST. STL |
| 3 | GUIDE CUP | 316L ST. STL |
| 4 | CENTRE ROD TOP SECTION | 316L ST. STL |
| 5 | SPRING + SEAL ASSEMBLY | 316L ST. STL |
| 6 | COMPRESSION PLATE | 316L ST. STL |
| 7 | COMP NUT + WASHER | 316L/PTFE |
| 8 | COMP NUT WASHER | PTFE |
| 9 | TOP GASKET | E.P. |
| 9 | TAP GASKET | SILICONE |
| 9 | TOP GASKET | VITON |
| 10 | CLAMP | 304 ST. STL |
| 11 | CLAMP TEE BAR | 316L ST. STL |
| 12 | DRAIN CAP | 316L ST. STL |
| 13 | VENT CAP | 316L ST. STL |
| 14 | ADJUSTABLE LEGS | 304 ST. STL |



| Connection Option | Dim 'B' | Dim 'F' |
|------------------------|---------|---------|
| DN50 BS4504 PN 6 SO | 200 | 155 |
| 2" ANSI B16.5 150lb SO | 200 | 155 |
| DN50 DIN 2633 | 240 | 195 |
| 2" TRI-CLAMP | 201 | 152.5 |
| NW50 DIN 11851 'M' | 214 | 165.5 |
| 2" RJT 'M' | 201 | 152.5 |
| 2" IDF 'M' | 201 | 152.5 |

| Model | No. of Cartridges | Max Operating Conditions Bar, g and °C | Materials of Construction | Connection Size and Type | Volume (litres) | Dry Weight (kg) | Dimension (mm) | | | | |
|---------------|-------------------|--|---------------------------|--------------------------|-----------------|-----------------|----------------|-----|---|-----|-----|
| | | | | | | | A | B | C | D | E |
| 62050AC20AEE | 5 x 10" | 10 and 10 | 316L ST. STL. | 2" BSP" M' | 15.6 | 17.4 | 372 | 200 | - | 150 | 200 |
| 620520AC20AEE | 5 x 20" | 10 and 10 | 316L ST. STL. | 2" BSP" M' | 23.6 | 20.4 | 627 | 200 | - | 150 | 450 |
| 620540AC20AEE | 5 x 30" | 10 and 10 | 316L ST. STL. | 2" BSP" M' | 31.6 | 23.4 | 682 | 200 | - | 150 | 700 |
| 620540AC20AEE | 5 x 40" | 10 and 10 | 316L ST. STL. | 2" BSP" M' | 39.6 | 26.1 | 1137 | 200 | - | 150 | 950 |

UNIT G19, RIVER BANK WAY, LOWFIELDS BUSINESS PARK,
ELLAND, WEST YORKSHIRE HX5 9DN

TEL: 01422 377367 FAX: 01422 377369

Email: sales@prosep.co.uk Web: www.prosep.co.uk