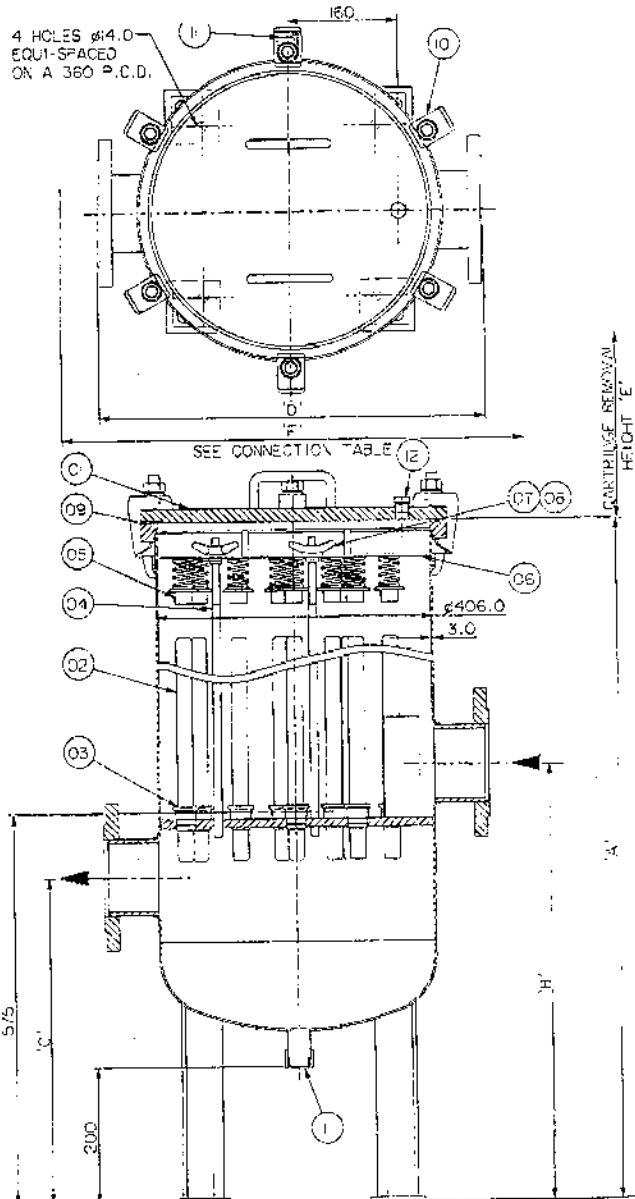


PROSEP FILTER SYSTEMS LTD

62 SERIES 19 STACK HOUSING

No.	Description	Material
1	LID	316L ST.STL.
2	3 HIGH GUIDE - CUP	316L ST.STL.
2	3 HIGH GUIDE - CUP	316L ST.STL.
3	GUIDE CUP	316L ST.STL.
4	CENTRE ROD TOP SECT	316L ST.STL.
5	SPRING - SEAL ASSEMBLY	316L ST.STL.
6	COMPRESSOR PLATE	316L ST.STL.
7	COMP NUT + WASHER	316L ST.STL.
8	COMP NUT WASHER	316L ST.STL.
9	TOP GASKET	E.P.
9	TOP GASKET	FEP ENCAP'D SILICONE
9	TOP GASKET	SILICONE
9	TOP GASKET	VITON
10	CLAMP	CARBON STEEL
11	DRAIN CAP	316L ST.STL.
12	VENT PLUG	316L ST.STL.



Connection Options	Dim 'H'
4" ANSI B16.5 50 to 50	568
DN50 D N 2633	609
4" TR-CLAMP	542
NW100 DIN 1851 'M'	608
4" RJT 'M'	552
4" ID 'M'	558

Type	No. of Cartridges	Max Operating Conditions Bar/g and °C	Material of Construction	Connection Size and Type	Volume (litres)	Dry Weight (kg)	Dimension (mm)				
							A	B	C	D	E
622303540CEE	19 x 30"	6 and 110	316 ST.STL.	4" BS4504 PN16 RF/SO	146.5	20.5	1432	645	480	568	500
6219406840CEE	19 x 40"	6 and 110	316 ST.STL.	4" BS4504 PN16 RF/SO	178.6	150.6	1687	805	480	585	1050

UNIT G19, RIVER BANK WAY, LOWFIELDS BUSINESS PARK,
 ELLAND, WEST YORKSHIRE HX5 9DN
 TEL: 01422 377367 FAX: 01422 377369
 Email: sales@prosep.co.uk Web: www.prosep.co.uk