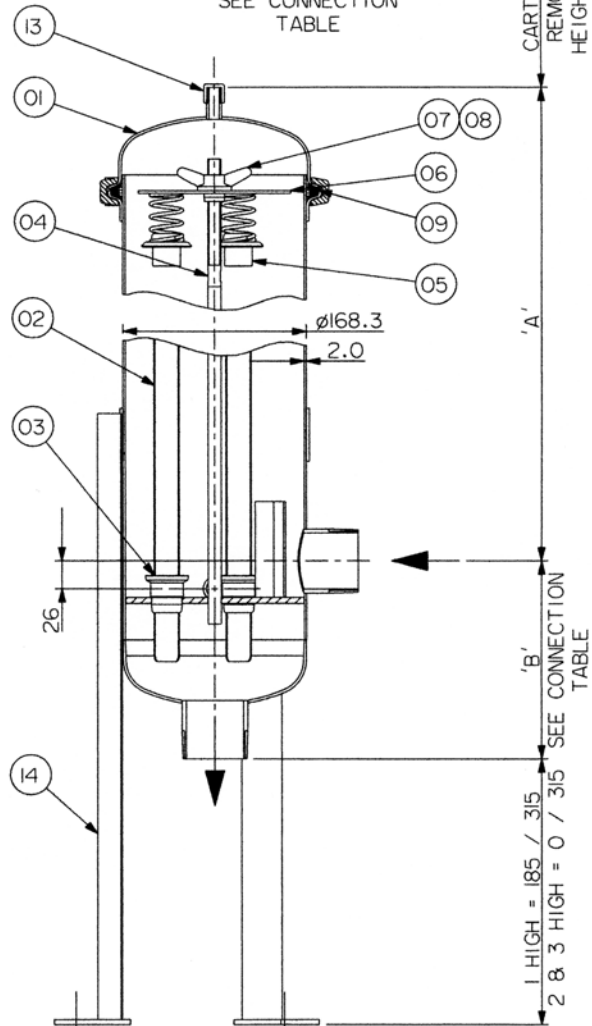
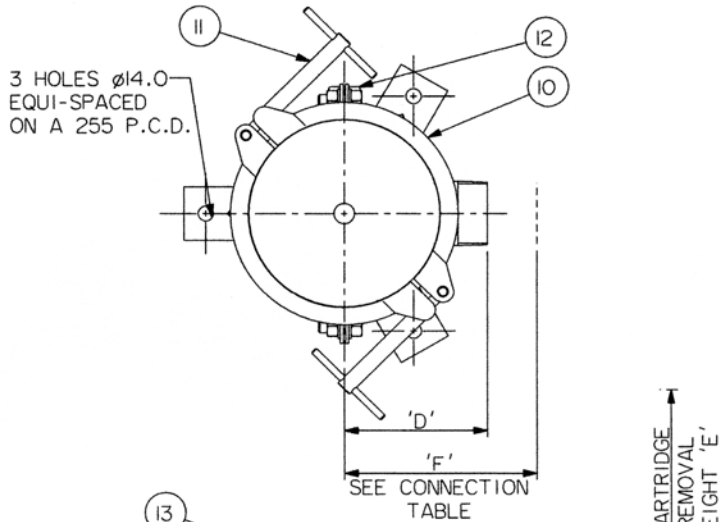


# PROSEP FILTER SYSTEMS LTD

## 3 Stack Housing Type 62

No.	Description	Material	Stock Code
1	LID	316L ST.STL.	60S030000
2	1 HIGH GUIDE + CUP	316L ST.STL.	60S001000
2	2 HIGH GUIDE + CUP	316L ST.STL.	60S002000
2	3 HIGH GUIDE + CUP	316L ST.STL.	60S003000
3	GUIDE CUP	316L ST.STL.	60S000000
4	CENTRE ROD TOP SECTION	316L ST.STL.	60S000001
5	SPRING + SEAL ASSEMBLY	316L ST.STL.	60S000002
6	COMPRESSION PLATE	316L ST.STL.	60S030001
7	COMP NUT + WASHER	316L/PTFE	60S000003
8	COMP NUT WASHER	PTFE	60S00000T
9	TOP GASKET	E.P.	60S03000E
9	TOP GASKET	SILICONE	60S03000S
9	TOP GASKET	VITON	60S03000V
10	CLAMP	304 ST.STL.	60S030002
11	CLAMP TEE BAR	316L ST.STL.	60S000022
12	DRAIN CAP	316L ST.STL.	60S000005
13	VENT CAP	316L ST.STL.	60S000004
14	ADJUSTABLE LEGS	304 ST.STL.	60S030003



Connection Options	Dim 'B'	Dim 'F'
DN50 BS4504 PN16 SO	186	137
2" ANSI B16.5 150lb SO	186	137
DN50 DIN 2633	226	177
2" TRI-CLAMP	187	135
NW50 DIN 11851 'M'	200	148
2" RJT 'M'	187	135
2" IDF 'M'	187	135



DESIGN PRESSURE Bar g		DESIGN TEMPERATURE °C	
LIQUID	GAS	MIN.	MAX.
10	6	0	110

	No. of Cartridges	Max Operating Conditions Bar.g and °C	Materials of Construction	Connection Size and Type	Volume (litres)	Dry Weight (kg)	Dimension (mm)				
							A	B	C	D	E
	3 x 10"	SEE TABLE	316L ST.STL.	2" BSP'M'	9.9	13.6	364	186	-	131	200
	3 x 20"	SEE TABLE	316L ST.STL.	2" BSP'M'	15.3	16.1	619	186	-	131	450
	3 x 30"	SEE TABLE	316L ST.STL.	2" BSP'M'	20.7	18.7	874	186	-	131	700

UNIT G19, RIVER BANK WAY, LOWFIELDS BUSINESS PARK,  
 ELLAND, WEST YORKSHIRE HX5 9DN  
 TEL: 01422 377367 FAX: 01422 377369  
 Email: sales@prosep.co.uk Web: www.prosep.co.uk