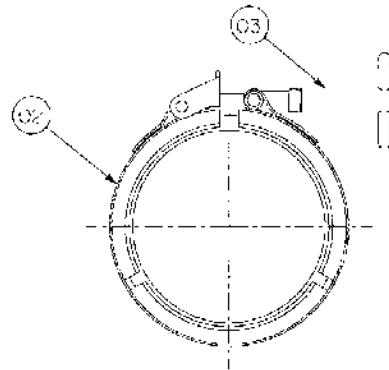


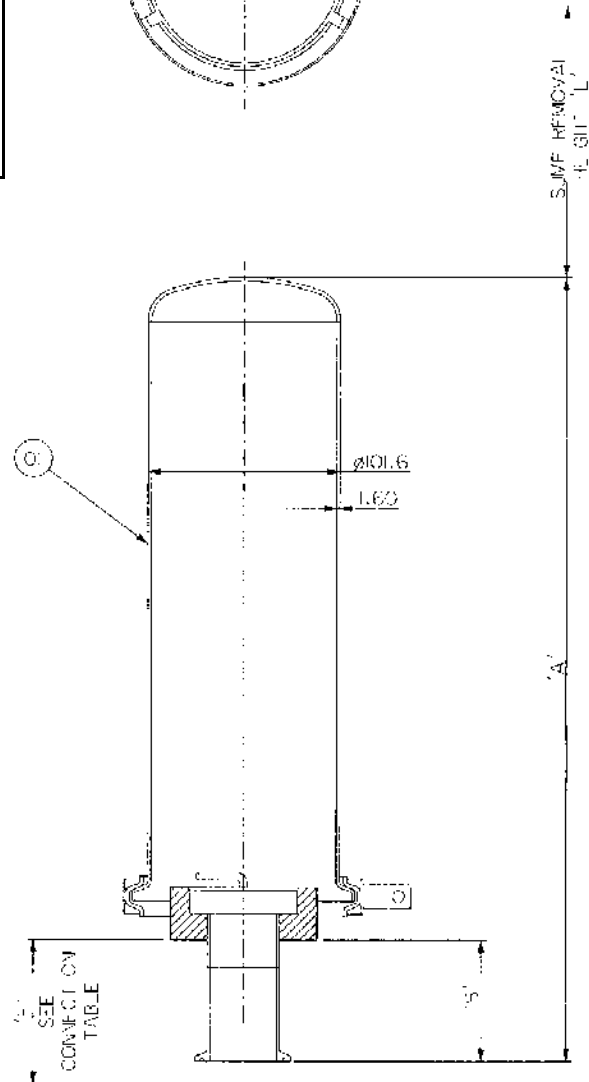
# PROSEP FILTER SYSTEMS LTD

## 71 SERIES SINGLE STACK HOUSING

No	Description	Material
1	1 HIGH DOME	316L ST. STL.
1	2 HIGH DOME	316L ST STL
2	CLAMP	304 ST. STL
3	CLAMP TEE BAR	316L ST. STL



Connection Options	Dim 'F'
DN40 BS4504 PN16 SO	43
1.5" ANSI B16.5 150lb SO	43
NW40 DIN 11851 'M'	36
NW50 DIN 11851 'M'	36
1.5" RJT 'M'	36
2" RJT 'M'	36
1.5" IDF 'M'	36
2.0" IDF 'M'	36



No. Of Cartridges	Max Operating Conditions Bar.g & °C	Material of Construction	Connection Size & Type	Volume (litres)	Dry Weight (kg)	Dimension (mm)				
						A	B	C	D	E
1 x 10"	-	316 ST. STL	1.5" TRI-CLAMP	2.5	3.1	390	36	-	-	350
1 x 20"	-	316L ST. STL	1.5" TRI-CLAMP	4.5	4.1	647	36	-	-	600
1 x 10"	-	316L ST. STL	2" TRI-CLAMP	2.5	3.1	390	36	-	-	350
1 x 20"	-	316L ST. STL	2" TRI-CLAMP	4.5	4.1	647	36	-	-	600

UNIT G19, RIVER BANK WAY, LOWFIELDS BUSINESS PARK,  
 ELLAND, WEST YORKSHIRE HX5 9DN  
 TEL: 01422 377367 FAX: 01422 377369  
 Email: sales@prosep.co.uk Web: www.prosep.co.uk