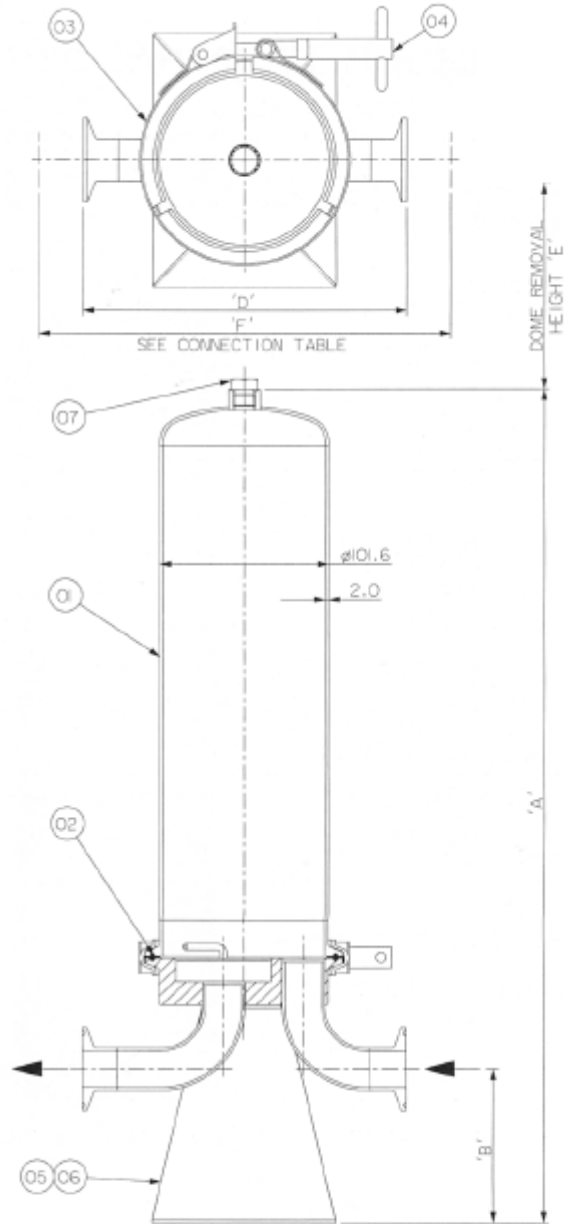


PROSEP FILTER SYSTEMS LTD

72 SERIES SINGLE STACK HOUSING FOR SOE CODE 7 ELEMENTS

No.	Description	Material	Stock Code
1	1 HIGH DOME	316L ST.STL.	725010000
1	2 HIGH DOME	316L ST.STL.	725012000
1	3 HIGH DOME	316L ST.STL.	725013000
2	GASKET	SILICONE	725010005
2	GASKET	VITON	72501000V
3	CLAMP	304 ST.STL.	705010000
4	CLAMP TEE BAR	316L ST.STL.	515010001
5	STAND	316L ST.STL.	725010000
6	SET SCREWS	A2	505010005
7	PLUG AND WASHER	316L/PTFE	505010000

Connection Options	Dim 'F'
NW25 DIN 11851 'M'	195
1" RJT 'M'	195
1" IDF 'M'	195



Model	No. of Cartridges	Max Operating Conditions Bar.g and °C	Materials of Construction	Connection Size and Type	Volume (litres)	Dry Weight (kg)	Dimension (mm)				
							A	B	C	D	E
7201V710LIPS	1 x 10"	10 and 110	316L ST.STL.	1" TRI-CLAMP	2.6	1.8	505	93	-	195	350
7202V710LIPS	1 x 20"	10 and 110	316L ST.STL.	1" TRI-CLAMP	4.6	3.0	760	93	-	195	600
7203V710LIPS	1 x 30"	10 and 110	316L ST.STL.	1" TRI-CLAMP	6.6	4.3	1015	93	-	195	850

UNIT G19, RIVER BANK WAY, LOWFIELDS BUSINESS PARK,
ELLAND, WEST YORKSHIRE HX5 9DN
TEL: 01422 377367 FAX: 01422 377369
Email: sales@prosep.co.uk Web: www.prosep.co.uk