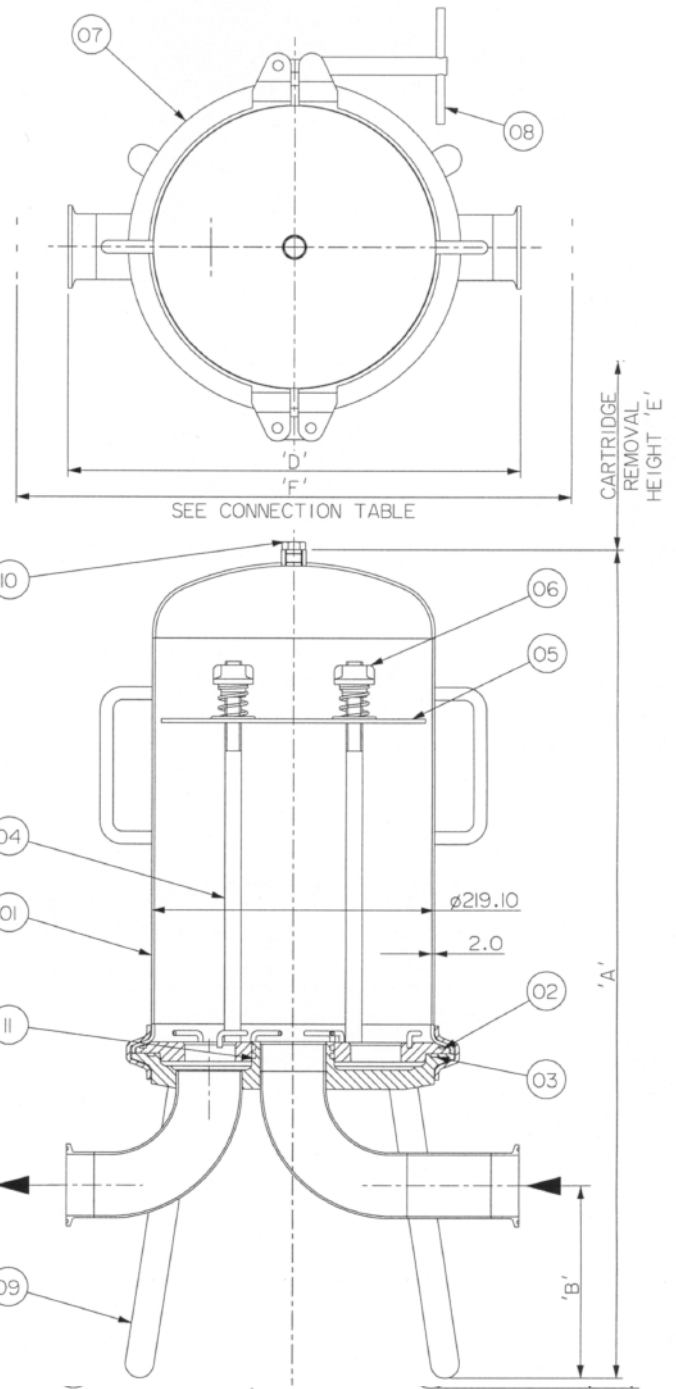


PROSEP FILTER SYSTEMS LTD

73 SERIES 5 STACK HOUSING

No.	Description	Material
1	1 HIGH DOME	316L ST.STL.
1	2 HIGH DOME	316L ST.STL.
1	3 HIGH DOME	316L ST.STL.
2	'O' RING DOME SEAL	FEP ENCAP'D SILICONE
2	'O' RING DOME SEAL	SILICONE
2	'O' RING DOME SEAL	VITON
3	'O' RING BASE SEAL	FEP ENCAP'D SILICONE
3	'O' RING BASE SEAL	SILICONE
3	'O' RING BASE SEAL	VITON
4	1 HIGH CENTRE ROD	316L ST.STL.
4	2 HIGH CENTRE ROD	316L ST.STL.
4	3 HIGH CENTRE ROD	316L ST.STL.
5	LOCATION PLATE	316L ST.STL.
6	LOCATION NUT + SPRING	316L ST.STL.
7	CLAMP	304 ST.STL.
8	CLAMP TEE BAR	316L ST.STL.
9	LEG	316L ST.STL.
10	PLUG AND WASHER	316L/PTFE
11	'O' RING INLET SEAL	FEP ENCAP'D SILICONE
11	'O' RING INLET SEAL	SILICONE
11	'O' RING INLET SEAL	VITON



Connection Options	Dim 'F'
NW50 DIN 11851 'M'	375
2" RJT 'M'	350
2" IDF 'M'	350

Model	No. of Cartridges	Max Operating Conditions Bar.g and °C	Materials of Construction	Connection Size and Type	Volume (litres)	Dry Weight (kg)	Dimension (mm)				
							A	B	C	D	E
730517AF20LITS	5 x 10"	10 and 110	316L ST.STL.	2" TRI-CLAMP	14.2	19.0	645	150	-	350	350
730527AF20LITS	5 x 20"	10 and 110	316L ST.STL.	2" TRI-CLAMP	23.3	22.5	899	150	-	350	600
730537AF20LITS	5 x 30"	10 and 110	316L ST.STL.	2" TRI-CLAMP	32.4	26.0	1153	150	-	350	850

UNIT G19, RIVER BANK WAY, LOWFIELDS BUSINESS PARK,
 ELLAND, WEST YORKSHIRE HX5 9DN
 TEL: 01422 377367 FAX: 01422 377369
 Email: sales@prosep.co.uk Web: www.prosep.co.uk