



# Demi HSA<sup>+</sup> Filter Housing

- sanitary air / gas

- Sanitary range of air / gas housing
- Available in 4 different housing classes: Atex, CE, High Pressure and Oxygen Service
- Both beverage and pharmaceutical surface finishes available
- A choice of easy to use sanitary vent and drain options



## Specification

### Materials of Construction

- Housing: 316L Stainless Steel
- Seals: EPDM FDA  
PTFE FDA  
Silicone FDA  
Viton FDA

### Surface Finish Options

- Beverage Finish
  - Internal: Polished 0.4 µm Ra
  - External: Polished 0.25 µm Ra
- Pharmaceutical Finish
  - Internal: Polished 0.4 µm Ra and Electropolished
  - External: Polished 0.25 µm Ra

### Welding

All assembly welds are full penetration. All welds are crevice and undercut free. Weld finish & detail drawings available upon request.

### Design Code

Housings designed in accordance with the European Council Pressure Equipment Directive (PED) 97/23/EC and the UK Statutory Pressure Equipment Regulations (PER) 1999 N° 2001.

### Design Basis

ASME VIII Division 1.  
ATEX 94/9/EC (where applicable)

ATEX Working Condition PED 97/23/EC			Maximum Pressure	
Fluid Group	State	Temperature	01A	01B
Non Dangerous & Dangerous	Gas / Vapour	135 °C (275 °F)	10.00 barg (145.03 psig)	10.00 barg (145.03 psig)
PED Conformity Assessment Category			SEP	SEP
Volume (litres)			0.75	0.50

CE Working Condition PED 97/23/EC			Maximum Pressure	
Fluid Group	State	Temperature	01A	01B
Non Dangerous & Dangerous	Gas / Vapour	150 °C (302 °F)	10.00 barg (145.03 psig)	10.00 barg (145.03 psig)
PED Conformity Assessment Category			SEP	SEP
Volume (litres)			0.75	0.5

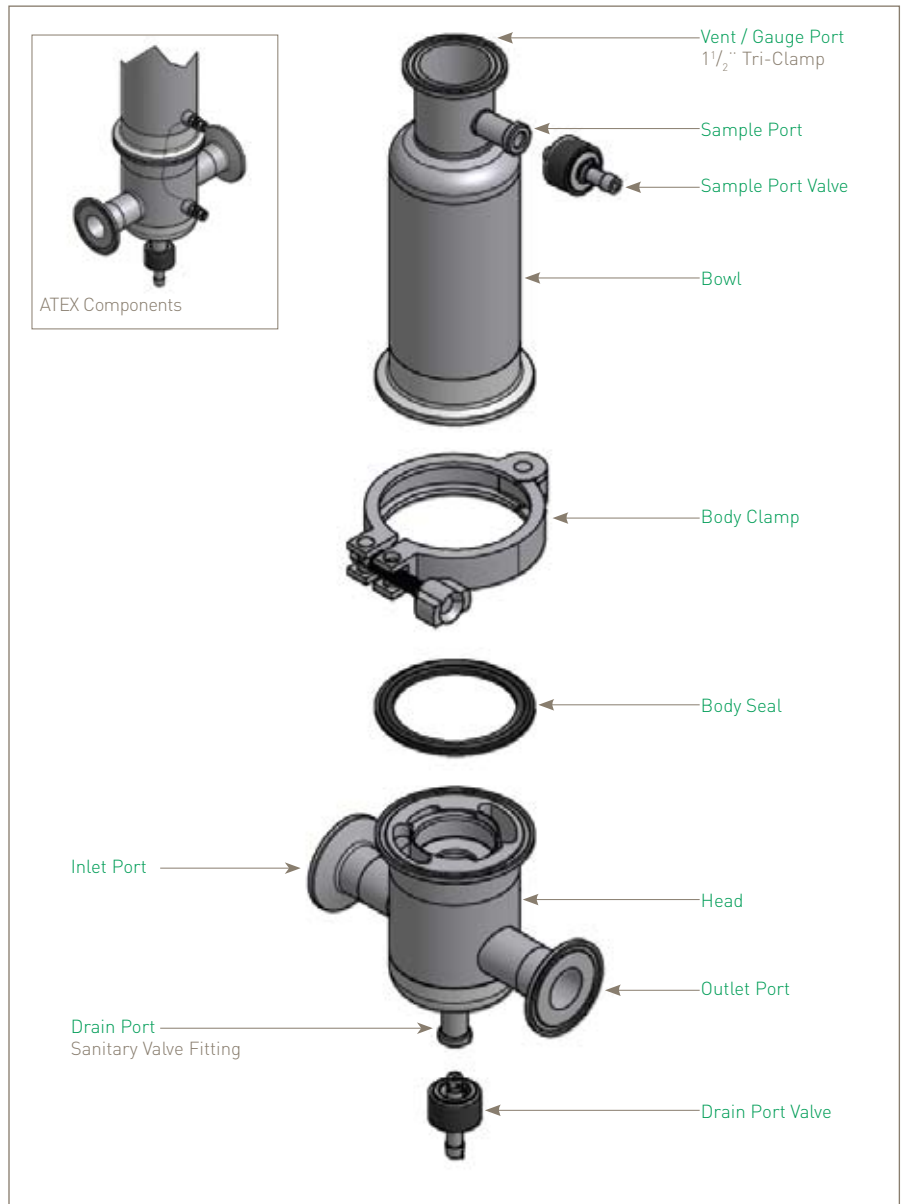
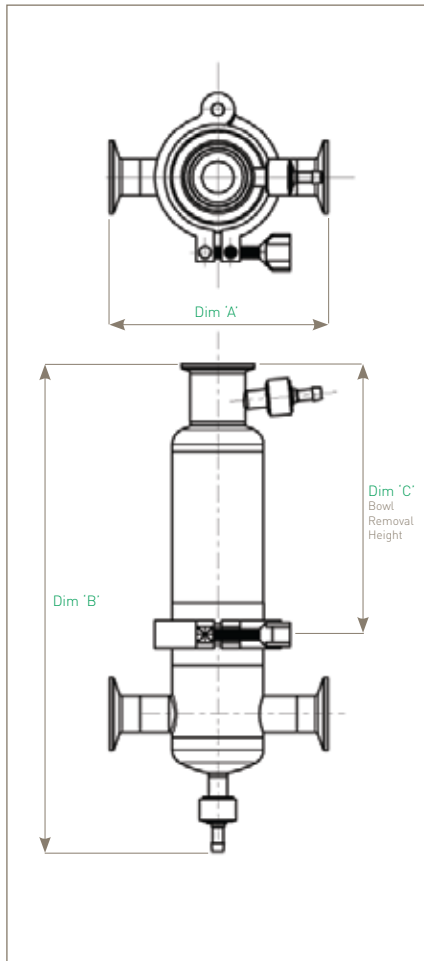
High Pressure Working Condition PED 97/23/EC			Maximum Pressure	
Fluid Group	State	Temperature	01A	01B
Non Dangerous	Gas / Vapour	205 °C (401 °F)	16.00 barg (232.06 psig)	16.00 barg (232.06 psig)
PED Conformity Assessment Category			SEP	SEP
Volume (litres)			0.75	0.5

Oxygen Service Working Condition PED 97/23/EC			Maximum Pressure	
Fluid Group	State	Temperature	01A	01B
Dangerous	Gas / Vapour	150 °C (302 °F)	10.00 barg (145.03 psig)	10.00 barg (145.03 psig)
PED Conformity Assessment Category			SEP	SEP
Volume (litres)			0.75	0.5

## Physical Characteristics

Bowl Height	Dimensions (mm)			Typical Weight (Kg)
	'A'	'B'	'C'	
A Size 5" (125 mm)	152	340	130	1.3
B Size 2 1/2" (65 mm)	152	285	70	1.2

Dimensions are based on illustration shown (HSACE01ABTTE-HH-P-X).  
For accurate dimensions, please contact Parker dominick hunter.



## Ordering Information

HSA

01

Code   Vessel Class		Code   Length (Nominal)		Code   Connection Size		Code   Standard		Code   Cartridge		Code   Seal		Code   Vent		Code   Drain	
AT	ATEX	A	5" (125 mm)	B	1"	T	Tri-Clamp	T	126	E	EPDM	C	Rectus 21 Vertical	H	Hosebarb
CE	Standard	B	2 1/2" (65 mm)	T	3/4"					P*	PTFE	H	1 1/2" TCF & Hosebarb	R	Rectus 21
HP	High Pressure			A	1/2"					S	Silicone	I	1 1/2" TCF & Staubli RBE03	S	Staubli RBE03
OX	Oxygen Service									V	Viton	M	1 1/2" TCF & 1/2" TCF	T	1/2" TCF
												R	1 1/2" TCF & Rectus 21		
												S	Staubli RBE03 Vertical		
												T	1 1/2" TCF Only		

\* Double bolted clamp required

Code   Surface Finish		Internal	External
B	Beverage	0.4 µm	0.25 µm
P	Pharmaceutical	0.4 µm EP	0.25 µm

Code   Tagged	
T	Yes
X	No

For Tagged Options customer identification numbers required at time of ordering

Parker dominick hunter has a continuous policy of product development and although the Company reserves the right to change specifications, it attempts to keep customers informed of any alterations. This publication is for general information only and customers are requested to contact our Process Filtration Sales Department for detailed information and advice on a products suitability for specific applications. All products are sold subject to the company's Standard conditions of sale.

PROSEP FILTER SYSTEMS LTD  
Unit G19  
River Bank Way  
Lowfields Business Park  
Elland  
West Yorkshire  
HX5 9DN

**Tel: 01422 377367**

**Fax: 01422 377369**

Email: [enquiries@prosep.co.uk](mailto:enquiries@prosep.co.uk)

[www.prosep.co.uk](http://www.prosep.co.uk)

**Map and Directions to Prosep Filters Limited**



Leave M62 at Junction 24.

At roundabout adjacent to Cedar Court Hotel take 2nd exit onto dual carriageway (A629), signposted Halifax.

Take 1st exit slip road.

At roundabout at end of sliproad, take 3rd exit off.

This is the entrance to Lowfields Business Park.

Proceed straight over 1st roundabout.

At next roundabout take 2nd exit onto River Bank Way - Prosep Filters can be found on the left after the S-bend.

[Link to Google Maps](#)