



VSL Housings

- sanitary liquid

- Multi-element sanitary liquid housing
- Designed specifically for the pharmaceutical industry
- Electropolished internal finish



Specification

Materials of Construction

- Housing: 316L Stainless Steel
- Seals: EPDM

Surface Finish

- Internal: Electropolished 0.4 µm Ra
- External: Polished 0.25 µm Ra

Economy Spec

An economy version is available with a lower specification, external finished to 0.8 µm Ra.

Design Code

Housings designed in accordance with the European Council Pressure Equipment Directive (PED) 97/23/EC and the UK statutory pressure equipment regulations (PER) 1999 N° 2001. PED / PER
Conformity assessments based on Fluid Group 2 Gas (harmless) allowing for in-situ steam sterilisation. Only housings over PS.V 50 bar / litres bear the CE mark.

Design Basis

ASME VIII.

Custom Design

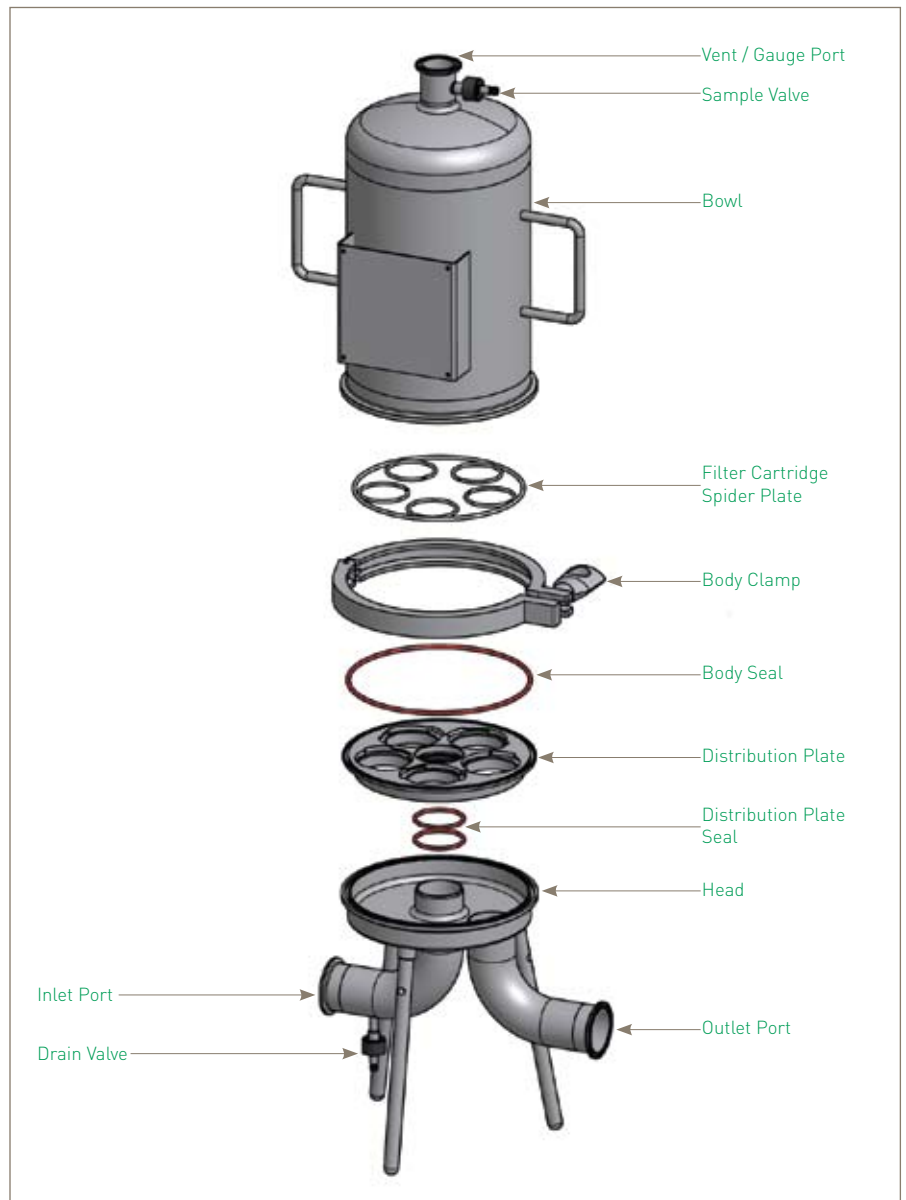
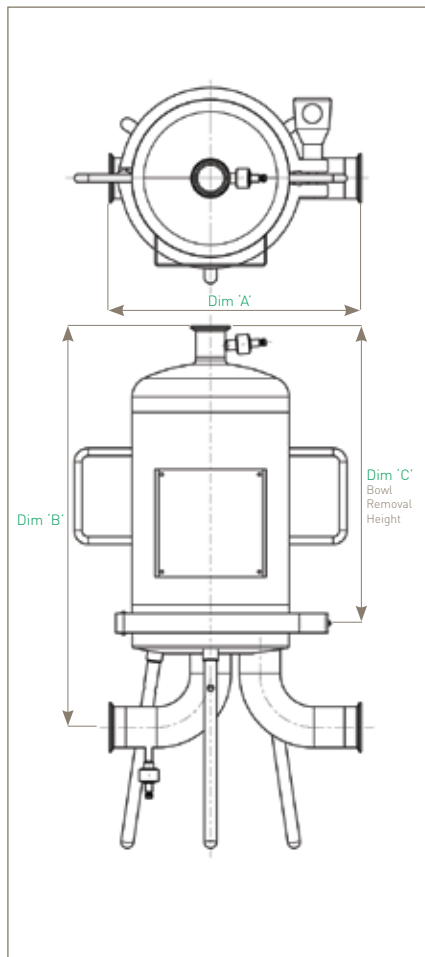
Parker domnick hunter offers a specialist and fabrication service allowing individual customer system specifications to be met.

Working Condition PED 97/23/EC			Maximum Pressure		
Fluid Group	State	Temperature	3 / 5 Round	3 / 5 Round	3 / 5 Round
Non Dangerous	Liquids	80 °C (176 °F)	7.00 barg (101.50 psig)	7.00 barg (101.50 psig)	7.00 barg (101.50 psig)
Dangerous / Non Dangerous	Gas / Vapour	144 °C (297 °F)	3.00 barg (43.50 psig)	3.00 barg (43.50 psig)	3.00 barg (43.50 psig)
PED Conformity Assessment Category			CAT I	CAT II	CAT II
Volume (litres)			10.7	18.5	26.3

Physical Characteristics

Type	Dimensions (mm)			Typical Weight (Kg)
	'A'	'B'	'C'	
10" (250 mm)	271	493	320	18.0
20" (500 mm)	271	743	570	22.0
30" (750 mm)	271	993	820	26.0

Dimensions shown are for a 3 Round VSL, 2" TCF inlet / outlet connections. For the full range of dimensions and weights, please contact Parker domnick hunter.



Ordering Information

VSL				-				-		
Code Vessel Class	Code N° of Cartridges	Code Length (Nominal)	Code Connection Size	Code Connection Type	Code Connection Standard	Code Connection Type	Code Seal			
CE Standard	03 3 05 5	1 10" (250 mm) 2 20" (500 mm) 3 30" (750 mm)	C 2"	T Tri-Clamp	B British Standard D DIN 07* Economy Series	B Sanitary Bleed T Tri-Clamp	E EPDM P PTFE S Silicone V Viton			

Note: For accessories, i.e. gauges, please contact Parker domnick hunter - Process Division for full availability.

*Code finishes here, no mention of drain and seals

Parker domnick hunter has a continuous policy of product development and although the Company reserves the right to change specifications, it attempts to keep customers informed of any alterations. This publication is for general information only and customers are requested to contact our Process Filtration Sales Department for detailed information and advice on a products suitability for specific applications. All products are sold subject to the company's Standard conditions of sale.

PROSEP FILTER SYSTEMS LTD
Unit G19
River Bank Way
Lowfields Business Park
Elland
West Yorkshire
HX5 9DN

Tel: 01422 377367

Fax: 01422 377369

Email: enquiries@prosep.co.uk

www.prosep.co.uk

Map and Directions to Prosep Filters Limited



Leave M62 at Junction 24.

At roundabout adjacent to Cedar Court Hotel take 2nd exit onto dual carriageway (A629), signposted Halifax.

Take 1st exit slip road.

At roundabout at end of sliproad, take 3rd exit off.

This is the entrance to Lowfields Business Park.

Proceed straight over 1st roundabout.

At next roundabout take 2nd exit onto River Bank Way - Prosep Filters can be found on the left after the S-bend.

[Link to Google Maps](#)