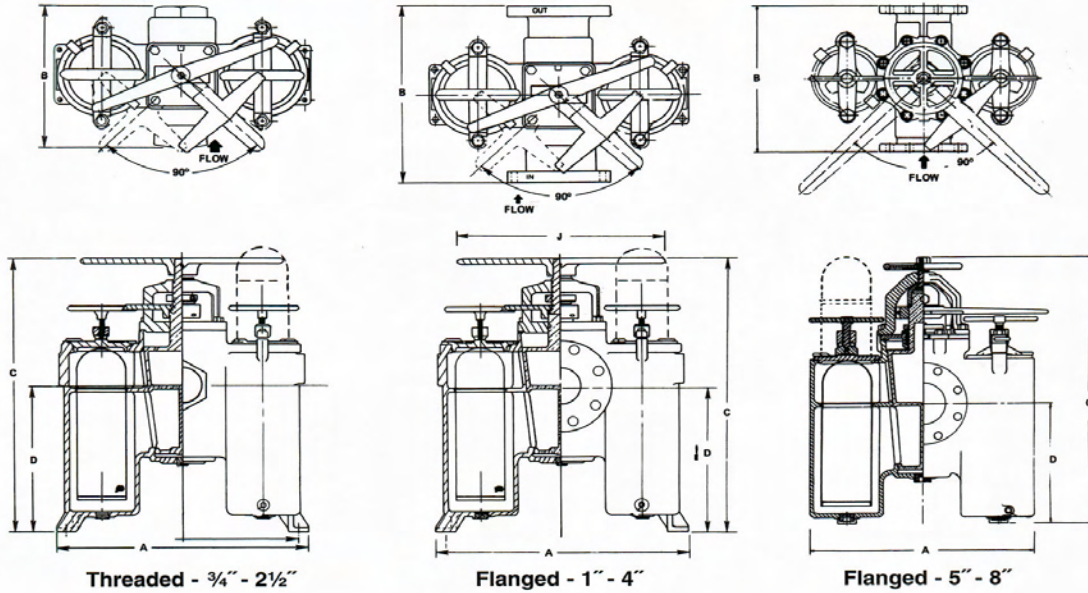


PROSEP FILTER SYSTEMS LTD

Duplex Strainer Sizing Chart

Model 50 Duplex Pipeline Strainer.



BSP Threaded Pipe Size	Net Weight (kg)				Dimensions			
	Iron	Bronze	Stainless Steel	Carbon Steel	A	B	C	D
3/4", 1"	12	15	14	14	279	140	318	127
1 1/4", 1 1/2"	26	29	28	28	381	191	381	176
2"	50	54	49	49	473	254	508	213
2 1/2"	56	56	-	-	473	254	508	213

Flanged Pipe Size		Net Weight (kg)				Dimensions			
mm	inch	Iron	Bronze	Stainless Steel	Carbon Steel	A	B	C	D
25	1"	14	17	16	16	280	175	318	127
40	1 1/2"	30	34	33	33	381	238	391	173
50	2"	55	60	55	55	473	270	511	213
65	2 1/2"	64	65	66	66	473	270	511	213
80	3"	88	105	93	93	559	337	543	225
100	4"	129	128	136	143	584	406	689	337
125	5"	183	187	-	-	660	467	845	375
150	6"	227	-	-	-	813	559	870	495
150	6"	-	264	-	-	813	546	870	384
150	6"	-	-	279	-	794	559	890	470
150	6"	-	-	-	261	794	559	890	470
200	8"	680	816	758	730	1156	635	1286	584

DIMENSIONS - 50

Except where stated, all dimensions are in millimetres and are for reference only. For installation purposes, please request certified drawings.

UNIT G19, RIVER BANK WAY, LOWFIELDS BUSINESS PARK,
 ELLAND, WEST YORKSHIRE HX5 9DN
 TEL: 01422 377367 FAX: 01422 377369
 Email: sales@prosep.co.uk Web: www.prosep.co.uk