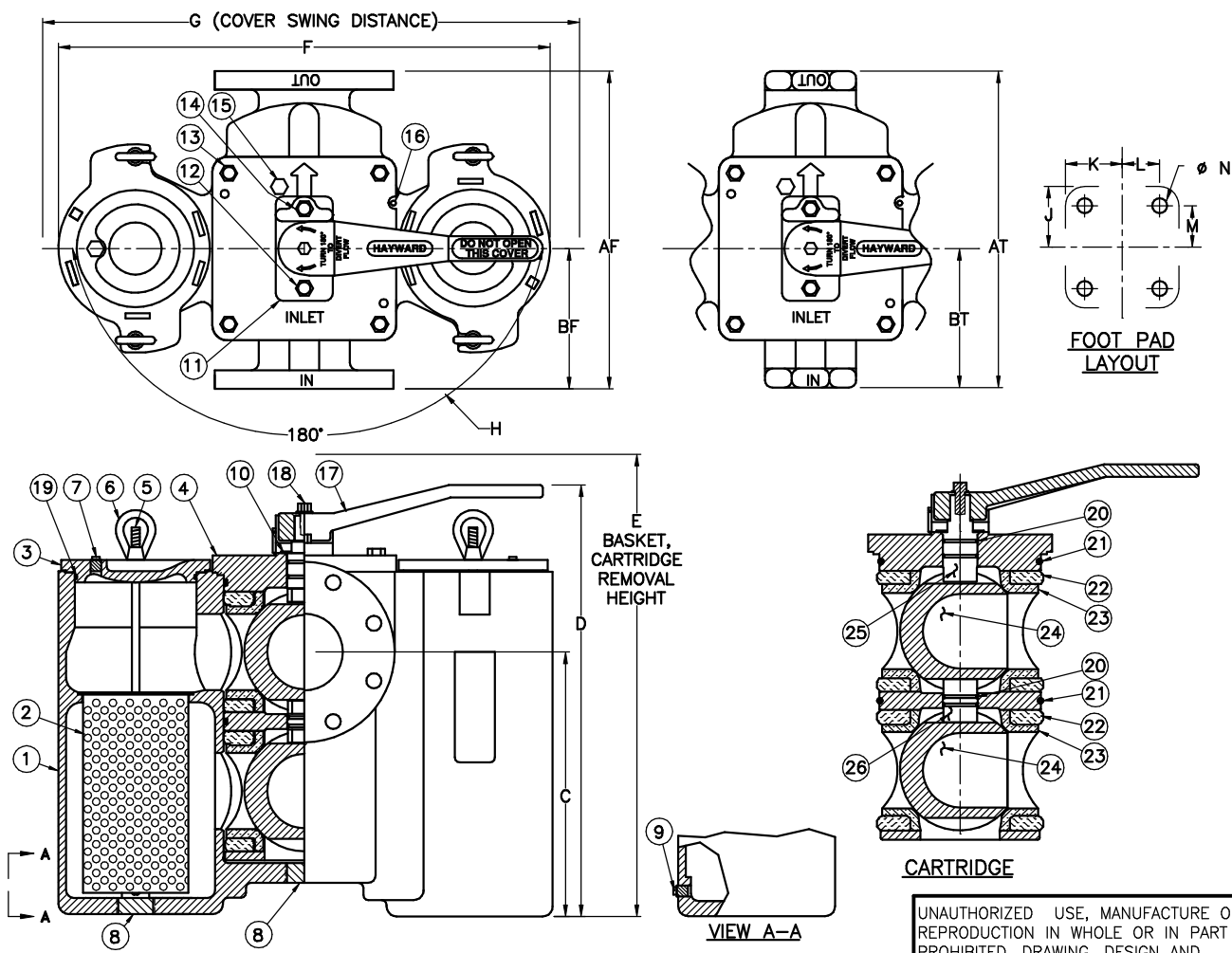


PIPE SIZE (NOMINAL)	DIMENSIONS															STRAINER WEIGHT LBS. KGS.	HAYWARD STRAINER PART NO.													
	IN. MM.	AF±0.13 IN. MM.	IN. MM.	BF MM.	AT±0.13 IN. MM.	IN. MM.	BT MM.	IN. MM.	C MM.	IN. MM.	D MM.	IN. MM.	E MM.	IN. MM.	F MM.			IN. MM.	G MM.	IN. MM.	H MM.	IN. MM.	J MM.	IN. MM.	K MM.	IN. MM.	L MM.	IN. MM.	M MM.	IN. MM.
3/4 (20)					5.50 / 140	2.53 / 64		5.00 / 127		10.50 / 267		13.38 / 340		10.50 / 268		16.50 / 419		7.88 / 200		3.25 / 83		2.13 / 54		1.63 / 41		2.75 / 70		3/8 (10)	37 / 17	ST053007AT46A
1 (25)					5.50 / 140	2.53 / 64		5.00 / 127		10.50 / 267		13.38 / 340		10.50 / 268		16.50 / 419		7.88 / 200		3.25 / 83		2.13 / 54		1.63 / 41		2.75 / 70		3/8 (10)	37 / 17	ST053010AT46A
1 (25)	6.88 / 175		3.19 / 81					5.00 / 127		10.50 / 267		13.38 / 340		10.50 / 268		16.50 / 419		7.88 / 200		3.25 / 83		2.13 / 54		1.63 / 41		2.75 / 70		3/8 (10)	42 / 19	ST053010AF46A
1-1/4 (32)					7.50 / 190	3.25 / 83		6.81 / 173		12.75 / 324		17.00 / 432		13.25 / 330		19.88 / 5.05		7.88 / 200		3.25 / 83		2.13 / 54		1.63 / 41		2.75 / 70		3/8 (10)	80 / 36	ST053012AT46A
1-1/2 (40)					7.50 / 190	3.25 / 83		6.81 / 173		12.75 / 324		17.00 / 432		13.25 / 330		19.88 / 5.05		7.88 / 200		3.25 / 83		2.13 / 54		1.63 / 41		2.75 / 70		3/8 (10)	80 / 36	ST053015AT46A
1-1/2 (40)	9.38 / 238		4.31 / 109					6.81 / 173		12.75 / 324		17.00 / 432		13.25 / 330		19.88 / 5.05		7.88 / 200		3.25 / 83		2.13 / 54		1.63 / 41		2.75 / 70		3/8 (10)	90 / 41	ST053015AF46A
2 (50)					10.00 / 254	4.50 / 114		8.38 / 213		15.50 / 394		21.75 / 552		17.38 / 441		26.25 / 667		10.63 / 270		4.69 / 119		2.50 / 64		1.81 / 46		4.00 / 102		5/8 (16)	157 / 71	ST053020AT46A
2 (50)	10.63 / 270		4.63 / 117					8.38 / 213		15.50 / 394		21.75 / 552		17.38 / 441		26.25 / 667		10.63 / 270		4.69 / 119		2.50 / 64		1.81 / 46		4.00 / 102		5/8 (16)	167 / 76	ST053020AF46A
2-1/2 (65)					10.00 / 254	4.50 / 114		8.38 / 213		15.50 / 394		21.75 / 552		17.38 / 441		26.25 / 667		10.63 / 270		4.69 / 119		2.50 / 64		1.81 / 46		4.00 / 102		5/8 (16)	157 / 71	ST053025AT46A
2-1/2 (65)	10.75 / 273		4.69 / 119					8.38 / 213		15.50 / 394		21.75 / 552		17.38 / 441		26.25 / 667		10.63 / 270		4.69 / 119		2.50 / 64		1.81 / 46		4.00 / 102		5/8 (16)	183 / 83	ST053025AF46A
3 (80)	13.50 / 343		5.93 / 151					8.88 / 226		18.00 / 457		26.50 / 673		22.75 / 578		35.00 / 889		12.00 / 305		4.69 / 119		2.50 / 64		1.81 / 46		4.00 / 102		5/8 (16)	285 / 129	ST053030AF46A
4 (100)	16.00 / 406		7.06 / 179					13.25 / 337		21.63 / 549		33.00 / 838		24.75 / 629		36.75 / 933		12.00 / 305		5.19 / 132		3.94 / 100		3.25 / 83		4.50 / 114		5/8 (16)	391 / 177	ST053040AF46A



ITEM	PART NAME	MATERIAL	QTY.
1	BODY	CAST IRON, A126 CL. B	1
2▲	BASKET	STAINLESS STEEL, 316	2▲
	PERF. DIA. MESH SIZE		
3	COVER	DUCTILE IRON, A395	2
4	CARTRIDGE	DUCTILE IRON, A395	1
5	STUD	CARBON STEEL	4
6	EYENUT	CARBON STEEL	4
7 8 9	PIPE PLUG	CAST IRON	2, 3, 2
10▲	WASHER	BUNA-N	1▲
11	STEM RETAINER	STAINLESS STEEL	1
12 13 14	CAP SCREW	CARBON STEEL	1, 4, 1
15	VENT VALVE	BRASS	1
16	PIN	CARBON STEEL	1
17	HANDLE	DUCTILE IRON	1
18	CAP SCREW	CARBON STEEL	1
19▲ 20▲ 21▲	O-RING	BUNA-N	2▲, 4▲, 2▲
22▲	SEAL	BUNA-N	4▲
23▲	SEAT	COMPOSITE	4▲
24	BALL	STAINLESS STEEL	2
25 26	STEM	CARBON STL (NICKEL PLT)	1, 1

NOTES:
 1. INLET/OUTLET CONNECTIONS PER ANSI STANDARDS.
 2. MAX. WORKING PRESSURE: 200 PSI @ 150° F
 (13.8 BAR @ 65.5° C)

CERTIFIED FOR: ---			
P.O. NO.: ---		QUOTE NO.: ---	
REG. NO.: ---		TAG NO.: ---	
HAYWARD INDUSTRIAL PRODUCTS, INC.			
900 FAIRMOUNT AVENUE, ELIZABETH, NEW JERSEY 07207			
NAME MODEL 53 "BTX" - DUPLEX STRAINER ANSI CLASS 125 FF FLANGE & NPT SIZES 3/4" THROUGH 4" CAST IRON			
DRAWN	VA	DATE	08/16/99
CERT.	WB	DATE	08/16/99
SIZE	DWG	SD053081	
A	NO		
REV			A

UNAUTHORIZED USE, MANUFACTURE OR REPRODUCTION IN WHOLE OR IN PART IS PROHIBITED. DRAWING, DESIGN AND OTHER DISCLOSURES PROPERTY OF HAYWARD INDUSTRIAL PRODUCTS, INC.

ELECTRONIC FILE NAME: SD053081.DWG
 REF. ECR 7799 DATE 08/16/99

PROSEP FILTER SYSTEMS LTD
Unit G19
River Bank Way
Lowfields Business Park
Elland
West Yorkshire
HX5 9DN

Tel: 01422 377367

Fax: 01422 377369

Email: enquiries@prosep.co.uk

www.prosep.co.uk

Map and Directions to Prosep Filters Limited



Leave M62 at Junction 24.

At roundabout adjacent to Cedar Court Hotel take 2nd exit onto dual carriageway (A629), signposted Halifax.

Take 1st exit slip road.

At roundabout at end of sliproad, take 3rd exit off.

This is the entrance to Lowfields Business Park.

Proceed straight over 1st roundabout.

At next roundabout take 2nd exit onto River Bank Way - Prosep Filters can be found on the left after the S-bend.

[Link to Google Maps](#)