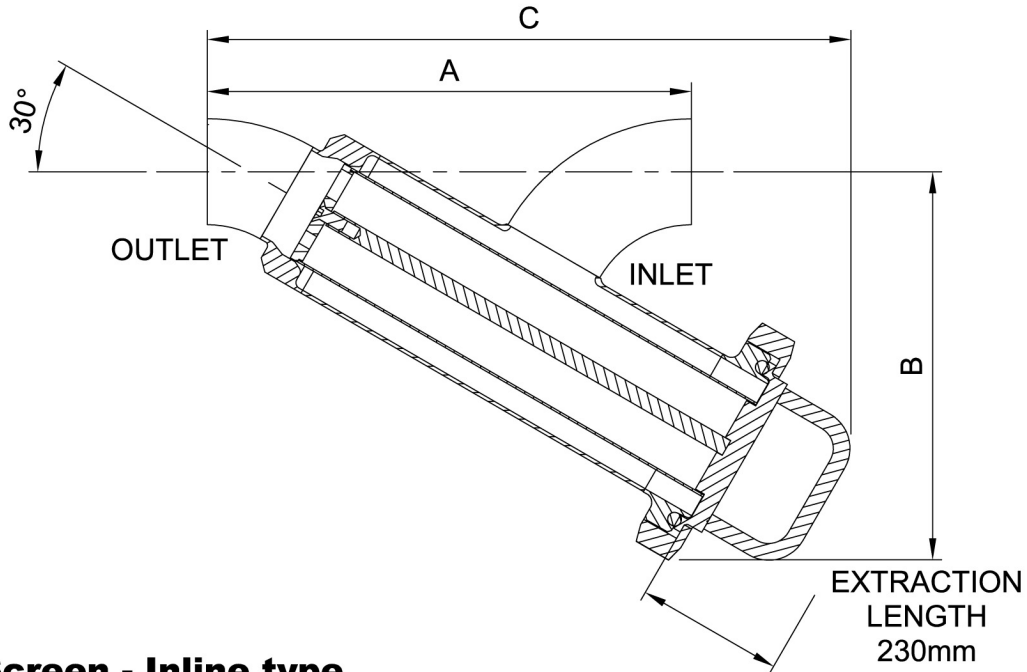


# PROSEP FILTER SYSTEMS LTD

8700-02

## Econ-Screen Inline



### Econ-Screen - Inline type

| Nominal size | Plain Ended |     |     | Clamp |     |     | RJT (M/M) |     |     | DIN (M/M) |     |     | IDF (M/M) |     |     | SMS (M/M) |     |     |
|--------------|-------------|-----|-----|-------|-----|-----|-----------|-----|-----|-----------|-----|-----|-----------|-----|-----|-----------|-----|-----|
|              | A           | B   | C   | A     | B   | C   | A         | B   | C   | A         | B   | C   | A         | B   | C   | A         | B   | C   |
| 1"           | 188         | 181 | 290 | 231   | 181 | 312 | 231       | 181 | 312 | 254       | 181 | 323 | 231       | 181 | 312 | 228       | 181 | 310 |
| 1 1/2"       | 210         | 184 | 297 | 253   | 184 | 319 | 253       | 184 | 319 | 276       | 184 | 330 | 253       | 184 | 319 | 250       | 184 | 317 |
| 2"           | 232         | 186 | 308 | 275   | 186 | 330 | 275       | 186 | 330 | 298       | 186 | 341 | 275       | 186 | 330 | 272       | 186 | 328 |

#### FILTER OPEN AREA

|                                   |                 |
|-----------------------------------|-----------------|
| Tube length mm                    | 225             |
| Tube dia mm                       | 52              |
| Total filter area cm <sup>2</sup> | 368             |
| Micron rating                     | cm <sup>2</sup> |
| 1,000                             | 82              |
| 2,000                             | 107             |
| 3,000                             | 117             |

#### TECHNICAL DATA

|                            |  |
|----------------------------|--|
| Material:                  | 316L stainless steel contact parts   |
| Finish:                    | Satin / 0.8µm Ra (internal and external)<br>Bead - blasted and electropolished options available |
| Flow rates:                | Up to 40,000 litres/hr depending on pressure drop and port size on water                         |
| Pressures:                 | System Pressure upto 10 bar<br>Differential Pressure upto 5 bar                                  |
| Operating temperature:     | Up to 205°C dependant upon cap seal material   |
| Cap seal:                  | Nitrile as standard Viton®, Silicone, EPDM and PTFE available                                    |
| Micron Ratings:            | 1000, 2000, 3000   |
| End connection:            | Plain - ended ex-stock (RJT, IDF, DIN, SMS, BSP and Flange options available)                    |
| Standard connection sizes: | 1", 1½", 2"  |

UNIT G19, RIVER BANK WAY, LOWFIELDS BUSINESS PARK,  
 ELLAND, WEST YORKSHIRE HX5 9DN  
 TEL: 01422 377367 FAX: 01422 377369  
 Email: sales@prosep.co.uk Web: www.prosep.co.uk