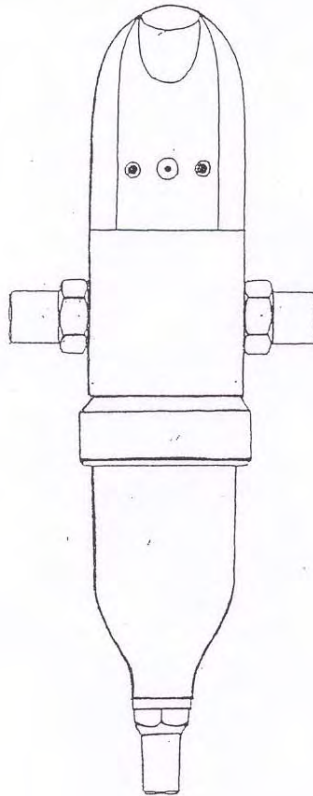


AQUA Srl
Via Crotti 1 - 42018 San Martino in Rio (RE) ITALY
☎ +39 - 0522 - 695805 - 📠 +39 - 0522 - 646160
E-mail: aqua@aqua.it - Web-Site: www.aqua.it

Instruction manual for assembly and servicing

Automatic Self Cleaning Filters – “AQUAMATIC” - Models: 3/4” – 1” – 1 1/4” – 1 1/2”



Read Carefully before use:

Automatic Self Cleaning Filter for domestic application used for treating drinkable water

General:

1. Keep this instruction manual for future consultations.
2. After package has been opened make sure there are no evident damages to the filter itself. In case of doubt, consult your nearest dealer.

Package inclusive of:

- N. 1 Automatic self cleaning filter
- N. 1 transformer 220 - 18 Volts
- N. 2 Brass OT58 fittings
- N. 1 Battery kit for emergency back-up (up on request)
- N. 1 instruction leaflet with certification of quality and warranty

APPLICATIONS:

The Automatic Self Cleaning filter can be used to filter domestic or industrial water. Its function is to protect waterworks, plumbing and tubes from being damaged by suspended matter such as sand, slime, rust oxide, minute particles of iron, et. that can cause corrosion to the piping system. The filter can also be installed on plants where cooled water is required and for water from bore hole wells. In any case wherever this filters application is required. ATTENTION: The instalment must be serviced by qualified personnel and according to the laws in force in the country where such filter will be installed.

WORKING OPERATION:

The Automatic Self cleaning filter has an electronic automatic system that starts the back-wash according to the preset times installed. The Back-Wash cycle uses filtered water that guarantees a perfect cleaning of the filter itself while discharging all suspended matter. The Automatic Self cleaning filter also can clean the filter cartridge independent of the preset times installed since it has a hydraulic differential that constantly checks the state of the cartridge and activates a Back-Wash when an increase of pressure is detected between 0.8 / 1 bar. This will not change the preset time installed previously. This is a very important device since it prevents the filter from clogging at all times.

INSTALMENT AND SAFETY INSTRUCTIONS:

- Carefully read the technical characteristics of the self cleaning filter
- Filter must be installed in a suitable place, away from icing and from warm sources superior to 40° Celsius
- Filter must be installed near an electric plug.
- Make sure you have at least a 40 DN discharge
- Take note of the arrows on the anchor plate that indicate the flow direction.
- Make sure that water being filtered has no solvents, oil, gasoline, diesel, chemical substances.
- The electric feed line of this filter must never be changed by the end user. In case of damage contact your nearest qualified dealer.

EMERGENCY BACK UP BATTERY KIT:

- Do not place the emergency back up battery kit in water or fire
- Always use the same types of battery
- Do not through away old or defective batteries in domestic waste, but in an appropriate storage place.

PROGRAMMING THE BACK-WASH SETTINGS.

The Automatic Self Cleaning filter is set by the manufacturer for a Back-Wash every 48 hours and set to back-wash cycle 1. However it is possible to set the Back-Wash cycle according to specific needs.

For setting, check the following table.

- Quantity of water discharged according to Inline pressure of 4 bars = 4 Lt.
- Quantity of water discharged according to Inline pressure of 2 bars = 2,5 Lt.

When considerable dirty water is being filtered you can set the Back-Wash cycle 2. programme which will Back-wash the filter 4 times. You must however consider the extra time required for such operation.

Summary: Programming the filter through the DIP-SWITCH

Time setting for Back-Wash: → every 12 – 24 – 36 – 48 et. et. hours

Cycle setting for Back-Wash = DIP-SWITCH ON/OFF as per the following table:

Time required for Back-Wash cycles:

- | | |
|------------------------------------|---------------------------|
| 1. When Back-Wash cycle 1. is set: | Open discharge: 1 second |
| | Discharge: 8 seconds |
| | Close discharge: 1 second |
| | Discharge: 8 seconds |
| | Close discharge: 1 second |

Total 19 seconds for Back-Wash cycle 1.

- | | |
|------------------------------------|---------------------------|
| 2. When Back-Wash cycle 2. is set: | Open discharge: 1 second |
| | Discharge: 8 seconds |
| | Close discharge: 1 second |
| | Discharge: 8 seconds |
| | Close discharge: 1 second |
| | Open discharge: 1 second |
| | Discharge: 8 seconds |
| | Close discharge: 1 second |
| | Discharge: 8 seconds |
| | Close discharge: 1 second |

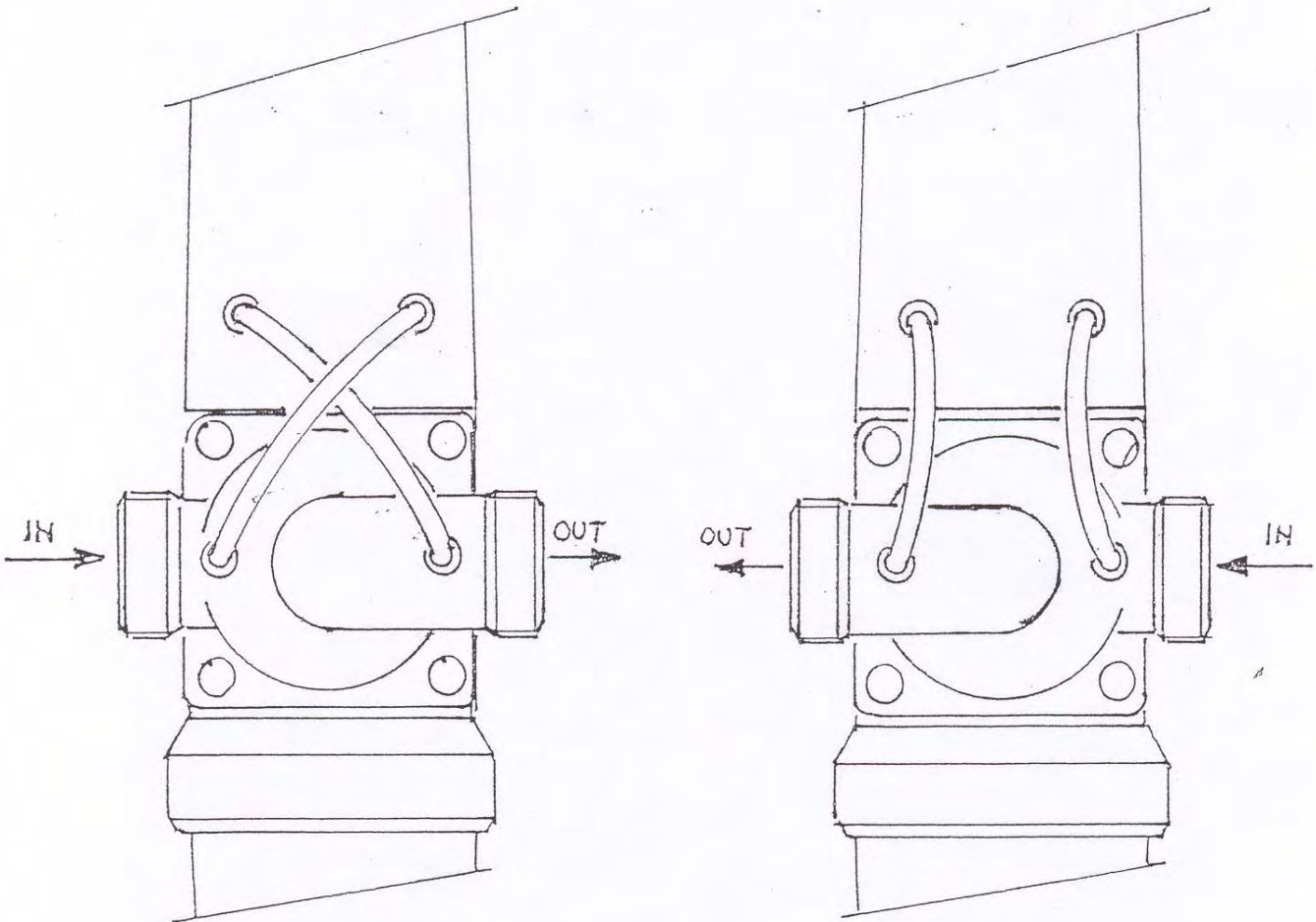
Total 38 seconds for Back-Wash cycle 2.

Rotation of anchor plate at 180°

If changing of water flow is required, follow these procedures.

1. Pull out the small tubes from the fitting.
2. Unscrew the holding nuts from the anchor plate
3. Place the anchor plate in the desired position
4. Tighten the nuts unilaterally making sure the gasket is well compressed.
5. Replace the small tubes as shown in below diagram.

Back part of Filter



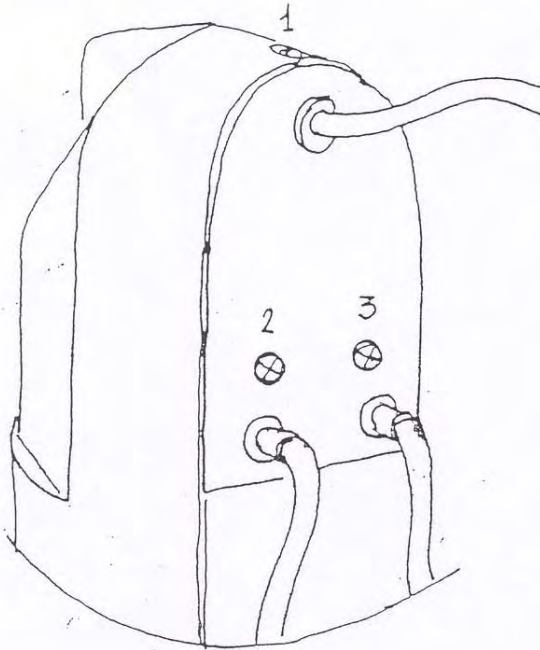
Water Flow from left

Water flow from right

Back-wash programming

To change the specific timing of the back wash programme, follow these instructions:

Figure 1.



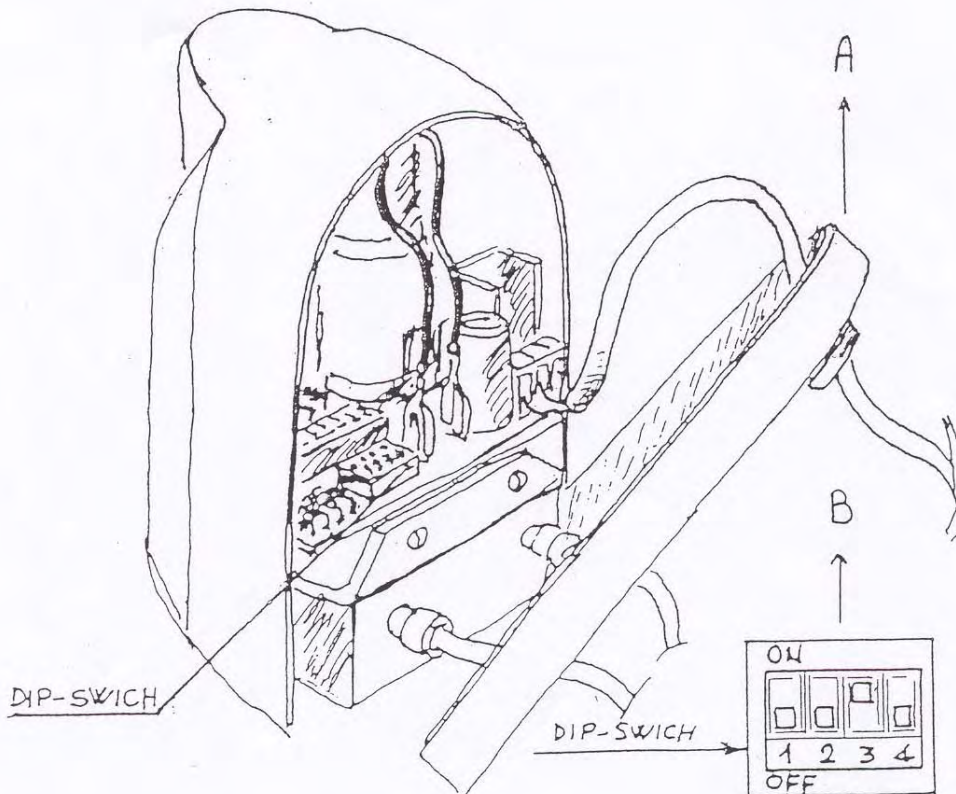
1. Unscrew N. 1,2,3 screws

2. carefully slide out the plate (a) as shown in figure 2.

3. with a small screwdriver, set the dip-switch to the desired timing according to the time sheet on the following page.

4. Replace the plate (a) back into position and tighten screws.

Figure 2.



TIME SETTING

The following are the time settings that can be programmed.

DIP-SWITCH Configuration

		1	2	3	4
- Back-wash every 12 hours	ON OFF	<input type="checkbox"/>	<input type="checkbox"/>	<input checked="" type="checkbox"/>	<input checked="" type="checkbox"/>
- Back-wash every 24 hours	ON OFF	<input checked="" type="checkbox"/>	<input type="checkbox"/>	<input checked="" type="checkbox"/>	<input type="checkbox"/>
- Back-wash every 36 hours	ON OFF	<input type="checkbox"/>	<input type="checkbox"/>	<input checked="" type="checkbox"/>	<input type="checkbox"/>
- Back-wash every 48 hours	ON OFF	<input checked="" type="checkbox"/>	<input type="checkbox"/>	<input type="checkbox"/>	<input type="checkbox"/>
- Back-wash every 60 hours	ON OFF	<input type="checkbox"/>	<input checked="" type="checkbox"/>	<input type="checkbox"/>	<input type="checkbox"/>
- Back-wash every 72 hours	ON OFF	<input checked="" type="checkbox"/>	<input type="checkbox"/>	<input checked="" type="checkbox"/>	<input type="checkbox"/>
- Back-wash every 84 hours	ON OFF	<input type="checkbox"/>	<input type="checkbox"/>	<input checked="" type="checkbox"/>	<input checked="" type="checkbox"/>
Set up of the back-wash cycle:					
- Back-wash cycle 1.	ON OFF	<input type="checkbox"/>	<input type="checkbox"/>	<input type="checkbox"/>	<input checked="" type="checkbox"/>
- Back-wash cycle 2.	ON OFF	<input type="checkbox"/>	<input type="checkbox"/>	<input type="checkbox"/>	<input checked="" type="checkbox"/>

Terms:

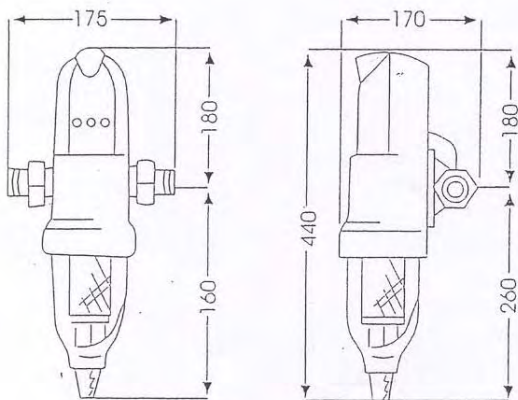
- a. Back-Wash = Automatic self cleaning of Filter
- b. Back-Wash Cycle 1. = Discharge / Pause / Discharge / Pause → 2 back wash cycles
- c. Back-Wash Cycle 2. = Discharge / Pause / Discharge / Pause → 4 back wash cycles

TECHNICAL DATA:

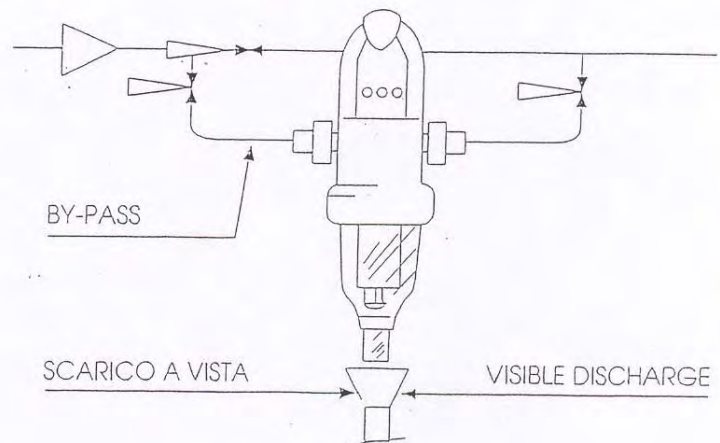
Fittings:	3/4"	1"	1 1/4"	1 1/2"
Flow rate in cubic meters/hour	3.2	4.5	5	6
Max. pressure in bars	10	10	10	10
Min. pressure in bars	1.5	1.5	1.5	1.5
Pressure drop	0.2	0.2	0.2	0.2
Water temperature	40° C	40° C	40° C	40° C

Power supply:	18 Volts AC – 10 watts			
Absorbed power	5 watts			
Emergency back up battery kit:	12 Volts 1.2A			
Working temperature	0 – 40° C			

Dimensions in mm.



Installation diagram



WARRANTY:

The Automatic Self Cleaning Filter is guaranteed for a period of 12 months from the date of purchase. To apply for warranty, it is necessary to demonstrate the invoice with clearly stated the date of purchase.

- The warranty is valid for 12 months on all defective manufacturing parts. The manufacturer will not accept any warranty claim of filters that have been installed incorrectly in accordance to the law in force for the regulation of installation.
- The manufacturer will not accept claims for filters which seal of warranty has been removed.
- The warranty does not cover consumable components ex. the cartridge itself, O-rings, the self cleaning brushes.
- If breakage of the filter occurs during the warranty period, please contact your nearest dealer.

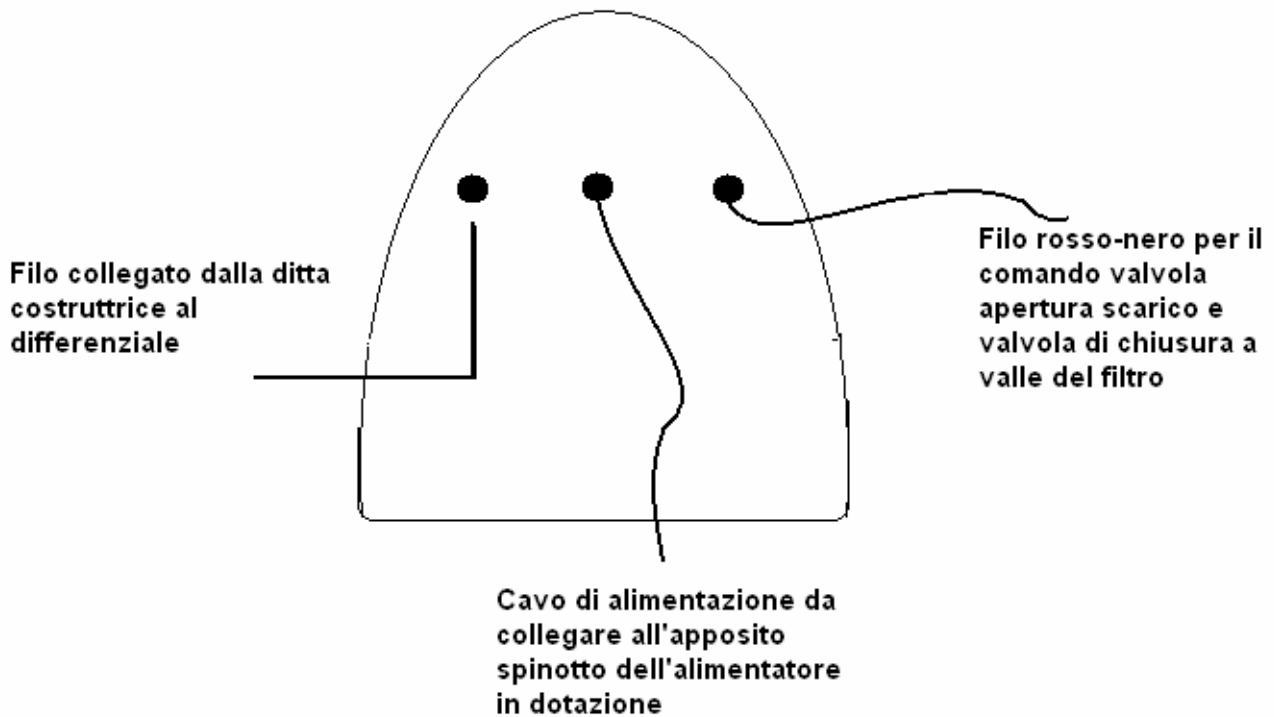
ATTENTION: → Do not unscrew or attach any discharge tubes to the discharge of the filter itself. This is not a fitting. After installation, the filter needs to have its discharge clearly free from any tubes and/or attachments. Contrary any warranty claim will not be accepted.

MAINTENANCE:

When maintenance is required, specialized personnel only are authorized to change any components. Therefore contact your nearest qualified dealer.



Vistra del retro carter di copertura



Connection for the
Differential pressure

Cable to connect to transformer
included in accessories.

Red-Black cable
To connect to
Hydraulic valve
After filter
element.

PROSEP FILTER SYSTEMS LTD
Unit G19
River Bank Way
Lowfields Business Park
Elland
West Yorkshire
HX5 9DN

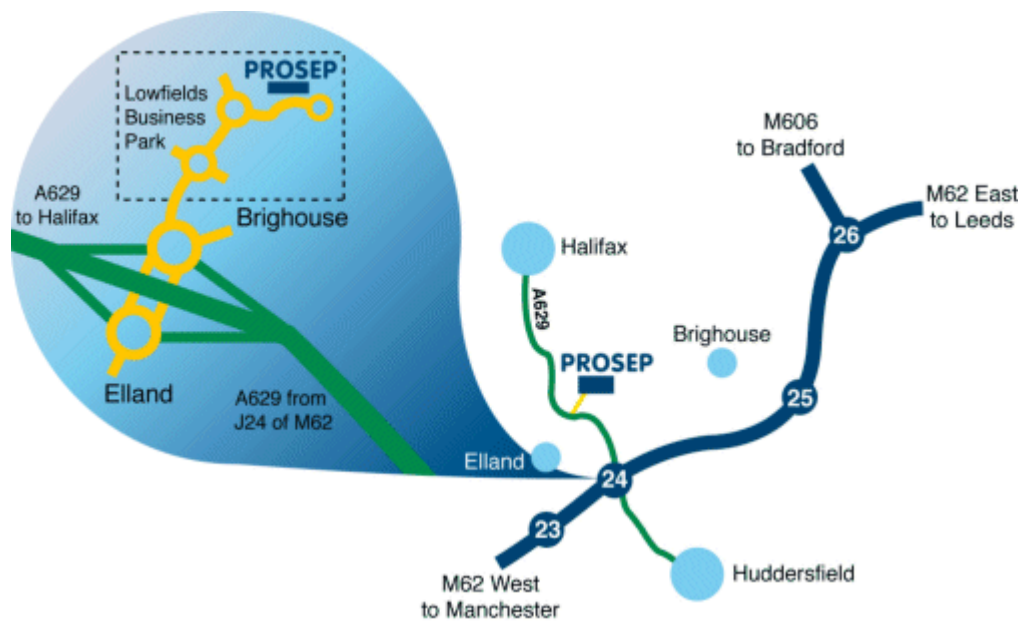
Tel: 01422 377367

Fax: 01422 377369

Email: enquiries@prosep.co.uk

www.prosep.co.uk

Map and Directions to Prosep Filters Limited



Leave M62 at Junction 24.

At roundabout adjacent to Cedar Court Hotel take 2nd exit onto dual carriageway (A629), signposted Halifax.

Take 1st exit slip road.

At roundabout at end of sliproad, take 3rd exit off.

This is the entrance to Lowfields Business Park.

Proceed straight over 1st roundabout.

At next roundabout take 2nd exit onto River Bank Way - Prosep Filters can be found on the left after the S-bend.

[Link to Google Maps](#)