

PRODUCT INFORMATION

PROSEP
FILTER SYSTEMS LTD

Bag Filter Housings

Our range of stainless steel bag filter vessels are the result of many years experience in observing the market requirements for filter vessels. The result is a range of products that cater for most common industrial type filtration applications.

Our products are manufactured in the UK to the highest standards. All products are hydrotested prior to despatch and will be marked with the appropriate pressure codings.

Standard filter housings feature quick change vee band clamp closures or flat bolted lids with quick release eye nuts and swing bolts. These methods simplify the method of access to the filter bags making bag changeouts very quick and simple.

Bag filtration systems are usually specified where the degree of filtration efficiency is not critical and where quick change-out of the filter media is important.

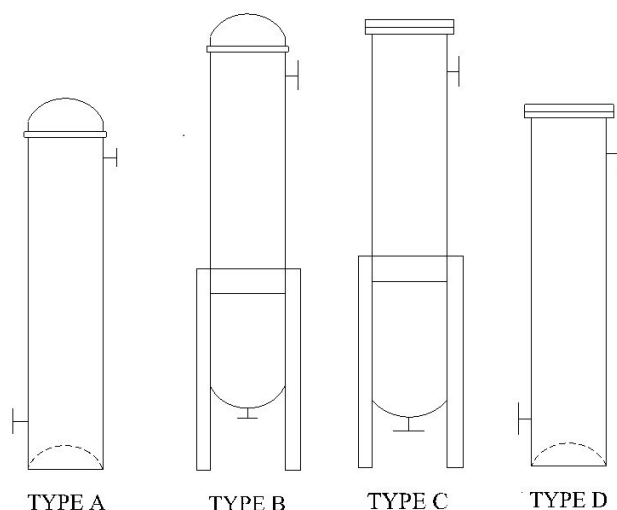
We can also mesh line the support cage to make this type of vessel into a large surface area strainer.



DESIGN FEATURES

Materials	316L or 304 stainless steel for wetted Parts
Connections	1" to 3" BSP male DIN and ANSI Flanges to 6" Triclamp and RJT to 3"
Finish	External bead blast as standard
Pressure:	Up to 10 bar as standard
Closure:	Vee band clamp or quick release bolt
Bag Formats:	Sizes 1, 2, 3 & 4 Moulded plastic neck ring Steel ring style

HOUSING STYLES

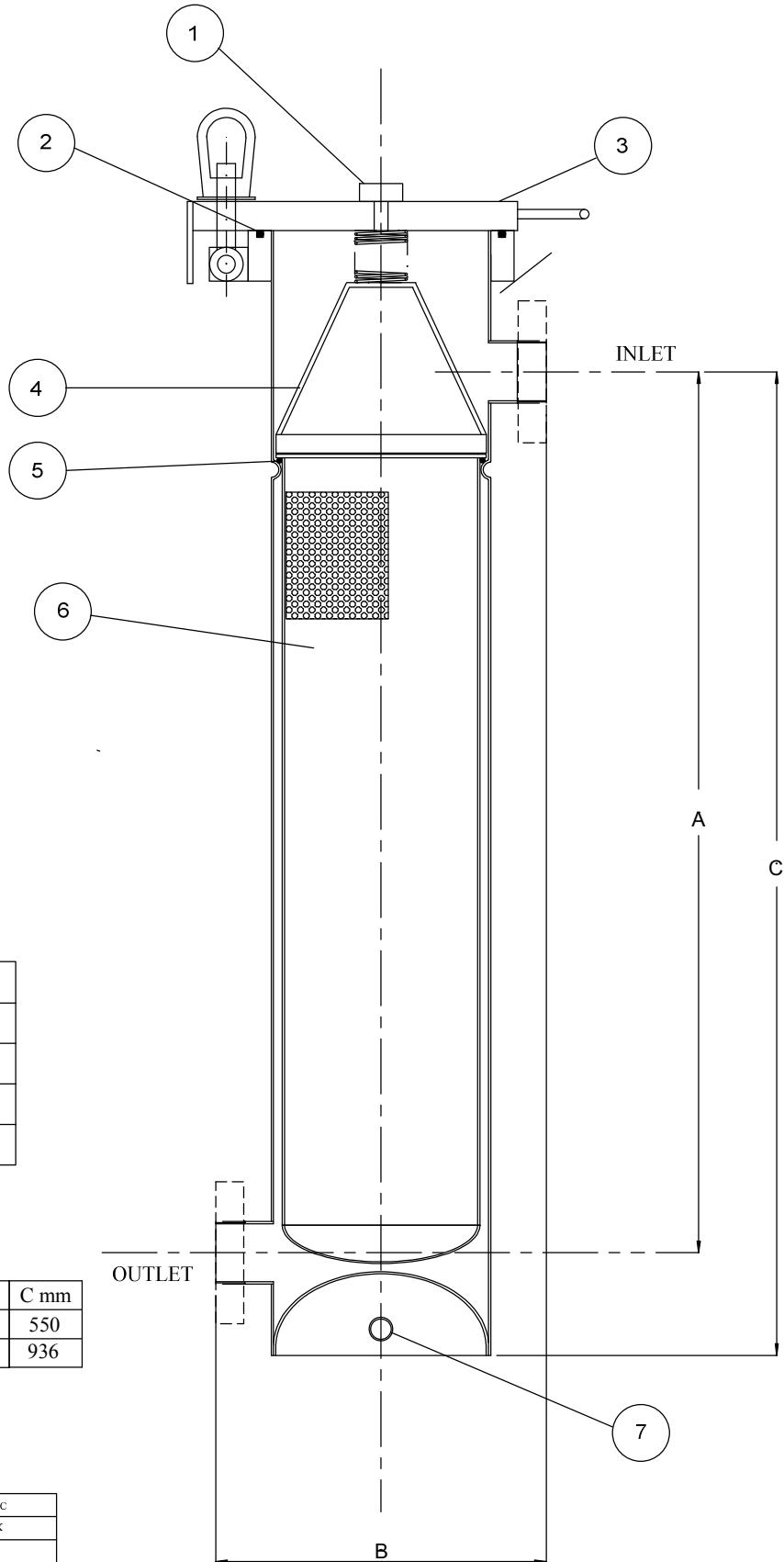


Prosep Filter Systems Ltd
Unit G19, River Bank Way,
Lowfields Business Park,
Elland, West Yorkshire
HX5 9DN

Phone: 01422 377367
email: sales@prosep.co.uk
www.prosep.co.uk



for all your filter requirements



PARTS IDENTIFICATION		
1	VENT CONNECTION	1/2" BSP(F) PLUGGED
2	LID O RING	MDACB00010E
3	FLAT BOLTED COVER	MDACB00002
4	BAG COMPRESSION PLATE	MDACB0100FL
5	BASKET O RING (INNER GASKET)	MDACB17153E
6	BASKET 3MM PERF	SINGLE LENGTH MDACB0500SL DOUBLE LENGTH MDACB0500DL
7	DRAIN PORT	1/2" BSP(F) PLUGGED

CONNECTIONS	
INLET	2" BSP M
OUTLET	2" BSP M
VENT	1/2" BSP - PLUGGED
DRAIN	1/2" BSP SOCKET- PLUGGED

PART NUMBER 2" BSP M	A mm	B mm	C mm
BD1320AE6P Single length	450	352	550
BD1420AE6P Double length	836	352	936

DESIGN PRESSURE Bar g		DESIGN TEMPERATURE Deg C	
LIQUID	GAS	MIN	MAX
10	N/A	0	110

This vessel design is suitable at the operating parameters stated, for all liquids and gases classified as Group 2 and all liquids in Group 1 except for those classified as oxidising or explosive

DRWG NO. BD120E6P	DATE 31/10/2013	TITLE TYPE D BAG FILTER VESSEL	Prosep Filter Systems Ltd G19 River Bank Way Lowfields Business Park Elland HX5 9DN Tel: 01422 377367 Fax: 01422 377369
REVISION	DATE	SIGN	
MATERIAL 316L STAINLESS STEEL FOR WETTED PARTS			