



PHW Multi Filter Housings

Multi element industrial liquid housing

- 3, 5 and 8 element housings in 20-40" with a range of cartridge location styles
- Split bowl design for easy access
- Adjustable legs for height adjustment
- Suitable for CIP



Specifications

Materials of Construction

Wetted Parts:	316L/1.4404
Non-Wetted Parts:	304
Seal:	EPDM / Silicone

Surface Finish

Internal:	Pickled
External:	Shot peened

Cartridge Socket:	C (226), D (222/Fin) or B (DOE) style
Number of Cartridges:	3, 5, 8

Technical Design Data

Design Code:	PED 2014/68/EU
PED Category:	SEP (Art 4.3)
PED Fluid Group:	2
PED Fluid State:	Liquid
ATEX Regulation:	Group 2, CAT 2 Gas & Dust Fluid GR IIC, Zone 1 & 21

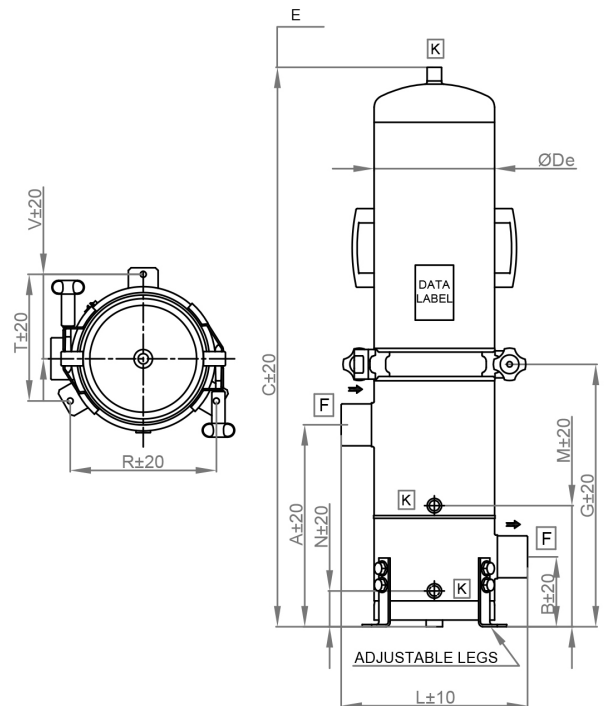
Design Pressure:	10 bar at -20°C to 40°C 6 bar at 90°C
------------------	--

Certification:	Supplied as standard with IOMI and vessel inspection certificate
----------------	--

Dimensions, size and weight

Vessel Model	Cartridge number and height	De mm	R mm	T mm	V mm	C mm	E mm	L mm		G mm	A mm	B mm	M mm	N mm	Volume litres (V)
								BSP	FLG						
PHW 032	03 x 20"	168	185	177	113	835	387	272	281	448	338	118	191	65	15.2
PHW 033	03 x 30"	168	185	177	113	1085	637	272	281	448	338	118	191	65	20.6
PHW 034	03 x 40"	168	185	177	113	1335	887	272	281	448	338	118	191	65	25.9
PHW 052	05 x 20"	219	226	217	138	867	390	337	347	477	367	131	220	65	26.9
PHW 053	05 x 30"	219	226	217	138	1117	640	337	347	477	367	131	220	65	36.0
PHW 054	05 x 40"	219	226	217	138	1367	890	337	347	477	367	131	200	65	45.2
PHW 083	08 x 30"	273	278	218	165	1151	653	415	426	498	388	137	241	65	56.6
PHW 084	08 x 40"	273	278	218	165	1401	903	415	426	498	388	137	241	65	70.4

Vessel Model (Q)	Cartridge number and height	Bowl weight kg	Total net weight (kg)	Packaging size (cm)	Total weight packed (kg)
PHW 032	03 x 20"	2.6	12.0	100 x 40 x 50	21.0
PHW 033	03 x 30"	4.1	13.8	130 x 40 x 50	24.0
PHW 034	03 x 40"	5.7	15.5	165 x 40 x 50	27.0
PHW 052	05 x 20"	4.3	15.2	105 x 45 x 55	25.0
PHW 053	05 x 30"	5.3	17.4	130 x 45 x 55	29.0
PHW 054	05 x 40"	7.4	19.7	155 x 45 x 55	33.0
PHW 083	08 x 30"	6.8	22.3	140 x 55 x 65	39.0
PHW 084	08 x 40"	9.3	25.2	165 x 55 x 65	44.0



Ordering Information

PHW	XX	X	X	X	XXXX						
Code	Cartridge Number	Code	Length (Nominal)	Code	Socket	Code	Gasket Mat	Code	Connection BSP Male	Available for filter housing	
03	3 cartridges	2	20" (500mm) (only 03-05)	7	226 / Code 7	E	EPDM	B020	2"	Ø60.3	03
05	5 cartridges	3	30" (750mm)	8	222 / Code 8			B025	2.5"	Ø76.1	05
08	8 cartridges	4	40" (1000mm)	3	DOE			B030	3"	Ø88.9	08
								Code	Stamped Flanges Faced EN1092-1		
								U050	DN50	Ø60.3	03
								U065	DN65	Ø76.1	05
								U080	DN80	Ø88.9	08



Parker has a continuous policy of product development and although the company reserves the right to change specifications, it attempts to keep customers informed of any alterations. This publication is for general information only and customers are requested to contact our sales department for detailed information and advice on a products suitability for specific applications. All products are sold subject to the company's standard of sale.