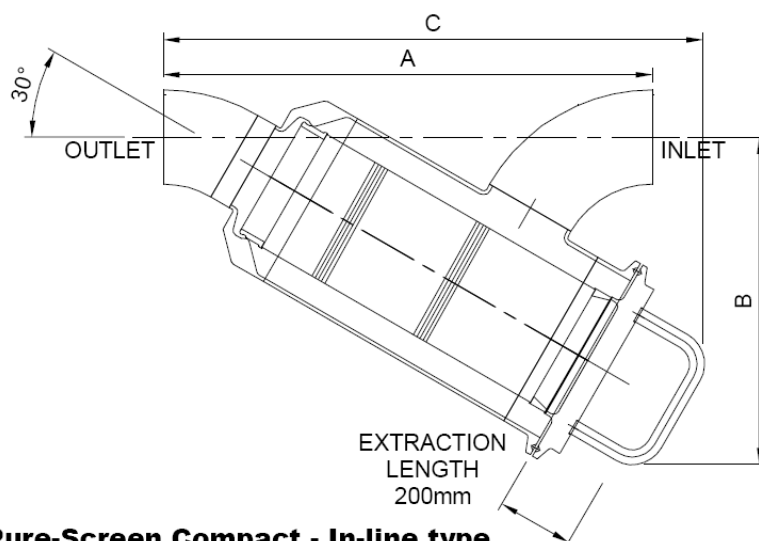


INFORMATION SHEET

PROSEP
FILTER SYSTEMS

PURESCREEN COMPACT



Pure-Screen Compact - In-line type

Nominal size	Plain Ended			Clamp			RJT (M/M)			DIN (M/M)			IDF (M/M)			SMS (M/M)		
	A	B	C	A	B	C	A	B	C	A	B	C	A	B	C	A	B	C
1"	207	171	265	249	171	286	249	171	286	264	171	294	249	171	286	236	171	280
1 1/2"	229	174	275	271	174	296	271	174	296	294	174	308	271	174	296	268	174	295
2"	264	182	294	306	182	315	306	182	315	333	182	329	306	182	315	303	182	314

FILTER OPEN AREA

Tube length mm	135
Tube dia mm	70
Total filter area cm ²	298
Micron rating	cm ²
25	7
50	14
100	27
250	60
500	74
1,000	119
2,000	156
3,000	186

TECHNICAL DATA

Material:	316L stainless steel contact parts
Finish:	Satin (external) / 0.4µm Ra (internal). Bead - blasted and electropolished options available
Flow rates:	Up to 15,000 litres/hr depending on loading and pressure drop
Pressures:	Up to 10 bar operating / 10 bar backflushing
Operating temperature:	Up to 205°C dependant upon cap seal material
Cap seal:	Viton® as standard. EPDM, Silicone, encapsulated or solid PTFE options
Micron Ratings:	25, 50, 100, 250, 500, 1000, 2000, 3000 (specials include 5000)
End connection:	Clamp / Plain - ended ex-stock (RJT, IDF, DIN, SMS, BSP and Flange options available)
Standard connection sizes:	1", 1½", 2"

Prosep Filter Systems Ltd
Unit G19, River Bank Way,
Lowfields Business Park, Elland,
West Yorkshire HX5 9DN

Phone: 01422 377367
email: sales@prosep.co.uk
www.prosep.co.uk

for all your filter requirements